

WIPRO LIGHTING LEEDGE

Get the Edge with LED Lighting Solutions for Contemporary Interiors through:

- ★ Eco-sustainability, Design & innovation, Green technology and Efficient lighting solutions
- ★ Capability to service multi-location accounts
- ★ Service Commitment - 35 branches and over 400 dedicated stockists
- ★ Ease of contact through website
- ★ Trustworthiness and Reliability of Wipro

switch to LEDs

Energy efficient LED luminaires from the Leaders in Green Building Lighting



CygnusLED (floodlight)

CygnusLED (highbay)

RadialLED

StormLED

Wipro Design

India's First
App on
Lighting Design

Design Office and Industry Spaces
Create and mail BOQs
View how designed spaces would look like
View latest offerings from Wipro

Download for free from
iOS and Google Play Store



Business Office:

Wipro Lighting, 5 floor, Godrej Eternia - C, Old Pune-Mumbai Road, Shivajinagar, Pune 411 005.
Tel.: 020-66098700, Fax: 020-66098777. E-mail: helpdesk.lighting@wipro.com

Registered Office:

Wipro Enterprises Ltd., #134, Doddakannelli, Sarjapur road, Next to Wipro corporate office,
Bangalore 560 035. India

New Delhi: 011-41708121/29, 9971117364, Mumbai: 022-67213755/9822192284, Bangalore: 080-41503260, 9986867682, Chennai: 044-600116/9903015566, Kolkata: 033-44045886/87, 8420102239, Pune: 020-25510583/9011023836, Hyderabad: 40-27176082/9866282277, Chandigarh: 0172-5018734/9814350562, Ludhiana: 9814350562, Karnal: 9814350562, Dehradun: 9814350562, Lucknow: 9839015204/9425072138, Patna: 8102056715/8420102239, Guwahati: 9831069725, Jaipur: 9928211211/9898001521, Jodhpur: 9928211211/9898001521, Ahmedabad: 079-40073546/9898001521, Baroda: 0265-2395830/9099924867/9898001521, Surat: 9925440019/9898001521, Rajkot: 9998057866/9898001521, Raipur: 0771-3265725/9425072138, Indore: 0731-3299668/9425072138, Bhopal: 9425072138, Jabalpur: 9425072138, Jamshedpur: 8420102239, Bhubaneswar: 8420102239, Vishakhapatnam: 9618456143/9652821212, Nagpur: 9167540712, Aurangabad: 9764000615, Goa: 8626018133, Hubli: 9986867682, Mangalore: 9961464188, Cochin: 9961464188, Coimbatore: 9789779179/9961464188, Madurai: 9961464188

Innovation and Improvement are a way of life at Wipro. All rights reserved. Reproduction of this data in part or in whole without permission is prohibited. Care has been taken to ensure that the information content within is correct. We reserve the right to modify the product without prior intimation. Imitation of Design Registered products is a punishable offence.

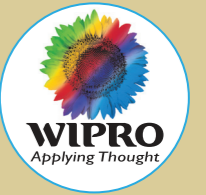
www.wiprolighting.com



**RELIABLE
EFFICIENT
VERSATILE
OUTDOOR LIGHTING SOLUTIONS**

REVOLED

HIGH EFFICIENCY LED FLOODLIGHT



RevoLED Floodlight

SAVINGS UPTO
50%

5X LIFE OF LEDS
AS COMPARED TO MHL LAMPS



In today's competitive environment reduction in cost is the top priority for every organization, energy efficient LED lighting can provide a major opportunity in this direction and at the same time reduces carbon footprints.

With RevoLED flood light Wipro Lighting introduces highly reliable & energy efficient LED flood light which can be used in variety of outdoor applications.

HIGH LUMEN OUTPUT

High efficiency Chip On Board (COB) LEDs & constant current driver provide reliable, low cost operation for all outdoor applications.

GOOD THERMAL MANAGEMENT

Specially designed heat sink made of aluminium ensures faster dissipation of heat, which results in higher service life.

VERSATILE DESIGN

With specially designed mounting bracket, RevoLED can be used for variety of outdoor or indoor applications, and for a wide range of mounting heights depending on location and light level requirement.

OPTICAL EFFICENCY

High efficiency glass lens ensures wider & uniform light distribution.

SPECIFICATIONS

- High efficiency, long life, Chip On Board (COB) LEDs
- Pressure die cast aluminium housing with fins for efficient heat dissipation (150W)
- Extruded aluminium housing with fins for efficient heat dissipation (180W)
- Highly efficient, specially designed glass lens optics
- Constant current LED driver, operating voltage range from 90VAC ~ 305 VAC
- Operating power factor > 0.95
- Complete assembly with LED, driver and accessories pre-wired in driver compartment

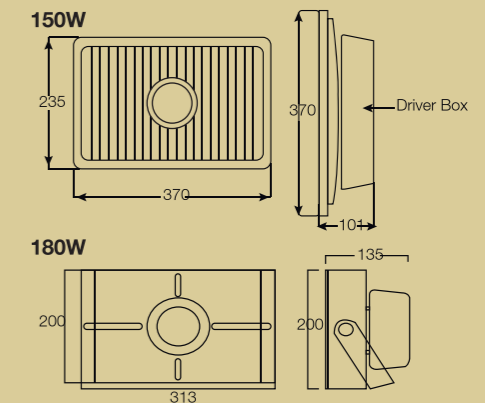
INSTALLATION

Mounting with 2 nos., of bolts on cradle

CONTROL GEAR

In-built electronic LED driver

DIMENSION DRAWINGS



All dimensions are in mm Tolerance: ± 2mm

APPLICATION



ELECTRICAL DATA

Cat No.	Rated Voltage (V)	Mains Current (A)	Power (W)	Approx Weight (Kg)	Case Lot (in nos)
LF07-152-060-65-XX	240	0.7	150	6.2	1
LF07-152-090-65-XX	240	0.7	150	6.2	1
LF07-202-060-65-XX	240	0.8	180	8.0	1
LF07-202-090-65-XX	240	0.8	180	8.0	1

IP 65

60 and 90 indicates beam angle in degrees.
65 indicates 6500K.

*Other colour temperatures available on request.

LED is an ever improving and evolving technology. Wipro is committed to bring you the best in LED technology. Data given is representative and can change.

