



## LED Spot High Quality

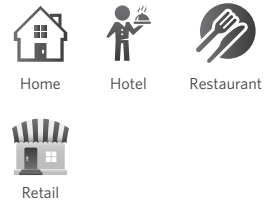
### Features

- UGR < 13, maximum glare control
- Opple patented "a-y" reflector with unique structure design manufactured by advanced military injection-molding and Nano-scale coating technology
- Die-cast aluminum heat sink ensures high reliability and long lifespan
- 23° tiltable with two beam angle options

### Benefits

- Excellent glare control enhances visual comfort even in challenging lighting situations
- Uniform, clean and perfect light spot, eliminating shadows and ghost images
- Up to 85% energy savings compared with halogen spotlight
- Adjustable beam orientation, more flexible for fixture installation position

### Application



### Specification

Item Code	Item Description	Power (W)	Power Factor	Lumen (lm)	Efficacy (lm/W)	Input Current (A)	CRI	UGR	CCT (K)	Lifetime (L70B50)	MOQ (pcs)
/	LEDSpotRA HQ 5W-3000-24D-WH-GP	5	0.70	250	50	0.03	≥80	13	3000	30Khrs	600
/	LEDSpotRA HQ 5W-3000-40D-WH-GP	5	0.70	250	50	0.03	≥80	13	3000	30Khrs	600
/	LEDSpotRA HQ 5W-3000-24D-SP-GP	5	0.70	250	50	0.03	≥80	13	3000	30Khrs	600
/	LEDSpotRA HQ 5W-3000-40D-SP-GP	5	0.70	250	50	0.03	≥80	13	3000	30Khrs	600
/	LEDSpotRA HQ 5W-4000-24D-WH-GP	5	0.70	250	50	0.03	≥80	13	4000	30Khrs	600
/	LEDSpotRA HQ 5W-4000-40D-WH-GP	5	0.70	250	50	0.03	≥80	13	4000	30Khrs	600
/	LEDSpotRA HQ 5W-4000-24D-SP-GP	5	0.70	250	50	0.03	≥80	13	4000	30Khrs	600
/	LEDSpotRA HQ 5W-4000-40D-SP-GP	5	0.70	250	50	0.03	≥80	13	4000	30Khrs	600
140045412	LEDSpotRA-HQ 5W-5700-24D-WH-GP	5	0.70	250	50	0.03	≥80	13	5700	30Khrs	600
/	LEDSpotRA HQ 5W-5700-40D-WH-GP	5	0.70	250	50	0.03	≥80	13	5700	30Khrs	600
/	LEDSpotRA HQ 5W-5700-24D-SP-GP	5	0.70	250	50	0.03	≥80	13	5700	30Khrs	600
/	LEDSpotRA HQ 5W-5700-40D-SP-GP	5	0.70	250	50	0.03	≥80	13	5700	30Khrs	600
/	LEDSpotRA HQ 7.5W-3000-24D-WH-GP	7.5	0.70	420	53	0.04	≥80	13	3000	30Khrs	600
/	LEDSpotRA HQ 7.5W-3000-40D-WH-GP	7.5	0.70	420	53	0.04	≥80	13	3000	30Khrs	600
/	LEDSpotRA HQ 7.5W-3000-24D-SP-GP	7.5	0.70	420	53	0.04	≥80	13	3000	30Khrs	600
/	LEDSpotRA HQ 7.5W-3000-40D-SP-GP	7.5	0.70	420	53	0.04	≥80	13	3000	30Khrs	600
/	LEDSpotRA HQ 7.5W-4000-24D-WH-GP	7.5	0.70	420	53	0.04	≥80	13	4000	30Khrs	600
/	LEDSpotRA HQ 7.5W-4000-40D-WH-GP	7.5	0.70	420	53	0.04	≥80	13	4000	30Khrs	600
/	LEDSpotRA HQ 7.5W-4000-24D-SP-GP	7.5	0.70	420	53	0.04	≥80	13	4000	30Khrs	600
/	LEDSpotRA HQ 7.5W-4000-40D-SP-GP	7.5	0.70	420	53	0.04	≥80	13	4000	30Khrs	600
/	LEDSpotRA HQ 7.5W-5700-24D-WH-GP	7.5	0.70	420	53	0.04	≥80	13	5700	30Khrs	600
140045413	LEDSpotRA-HQ 7.5W-5700-40D-WH-GP	7.5	0.70	420	53	0.04	≥80	13	5700	30Khrs	600
/	LEDSpotRA HQ 7.5W-5700-24D-SP-GP	7.5	0.70	420	53	0.04	≥80	13	5700	30Khrs	600
/	LEDSpotRA HQ 7.5W-5700-40D-SP-GP	7.5	0.70	420	53	0.04	≥80	13	5700	30Khrs	600

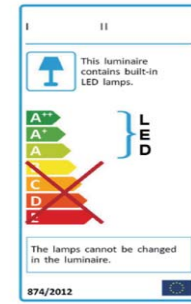
Technical Specifications	
On / Off Cycles	50,000
Colour Consistency (SDCM)	6
Dimmable	No
Beam Angle (°)	24/40
Finishing Colour	White /Silver/ Nickel
IP	20
Driver Integrated (Yes/No)	No
Glow Wire Test	650°C
Driver Failure Rate	1% at 5000h
Weight (kg/pc)	0.20

Electrical Supply	
Frequency (Hz)	50 / 60
Voltage (V)	220-240
AC/DC	AC

Mechanical Properties	
Housing Material	Aluminum+ABS
Optical Material	PC

Application Conditions	
Operating Temperature	-10-40°C
Application Temperature	25°C
Storage Environment	-25-50°C

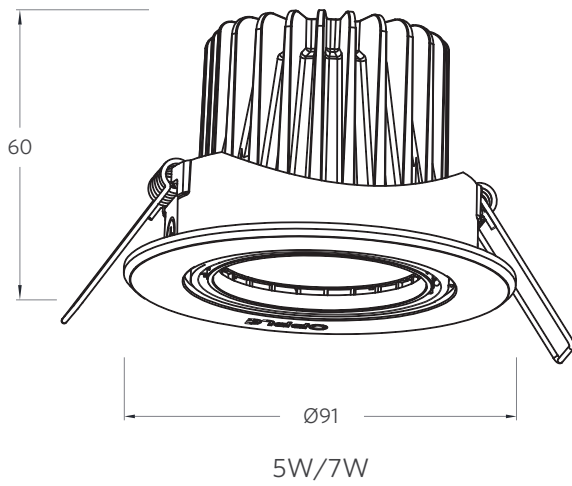
CE CB



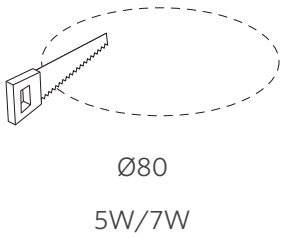
## Packaging Information

Item		Single Box(1pc/box)		Packaging Unit(40pcs/unit)	
Item Code	Item Description	Dimensions(mm) (LxWxH)	Gross Weight (kg)	Dimensions(mm) (LxWxH)	Gross Weight (kg)
/	LEDSpotRA HQ 5W-3000-24D-WH-GP	115x115x95	0.45	600x478x210	18.00
/	LEDSpotRA HQ 5W-3000-40D-WH-GP	115x115x95	0.45	600x478x210	18.00
/	LEDSpotRA HQ 5W-3000-24D-SP-GP	115x115x95	0.45	600x478x210	18.00
/	LEDSpotRA HQ 5W-3000-40D-SP-GP	115x115x95	0.45	600x478x210	18.00
/	LEDSpotRA HQ 5W-4000-24D-WH-GP	115x115x95	0.45	600x478x210	18.00
/	LEDSpotRA HQ 5W-4000-40D-WH-GP	115x115x95	0.45	600x478x210	18.00
/	LEDSpotRA HQ 5W-4000-24D-SP-GP	115x115x95	0.45	600x478x210	18.00
/	LEDSpotRA HQ 5W-4000-40D-SP-GP	115x115x95	0.45	600x478x210	18.00
140045412	LEDSpotRA-HQ 5W-5700-24D-WH-GP	115x115x95	0.45	600x478x210	18.00
/	LEDSpotRA HQ 5W-5700-40D-WH-GP	115x115x95	0.45	600x478x210	18.00
/	LEDSpotRA HQ 5W-5700-24D-SP-GP	115x115x95	0.45	600x478x210	18.00
/	LEDSpotRA HQ 5W-5700-40D-SP-GP	115x115x95	0.45	600x478x210	18.00
/	LEDSpotRA HQ 7.5W-3000-24D-WH-GP	115x115x95	0.45	600x478x210	18.00
/	LEDSpotRA HQ 7.5W-3000-40D-WH-GP	115x115x95	0.45	600x478x210	18.00
/	LEDSpotRA HQ 7.5W-3000-24D-SP-GP	115x115x95	0.45	600x478x210	18.00
/	LEDSpotRA HQ 7.5W-3000-40D-SP-GP	115x115x95	0.45	600x478x210	18.00
/	LEDSpotRA HQ 7.5W-4000-24D-WH-GP	115x115x95	0.45	600x478x210	18.00
/	LEDSpotRA HQ 7.5W-4000-40D-WH-GP	115x115x95	0.45	600x478x210	18.00
/	LEDSpotRA HQ 7.5W-4000-24D-SP-GP	115x115x95	0.45	600x478x210	18.00
/	LEDSpotRA HQ 7.5W-4000-40D-SP-GP	115x115x95	0.45	600x478x210	18.00
/	LEDSpotRA HQ 7.5W-5700-24D-WH-GP	115x115x95	0.45	600x478x210	18.00
140045413	LEDSpotRA-HQ 7.5W-5700-40D-WH-GP	115x115x95	0.45	600x478x210	18.00
/	LEDSpotRA HQ 7.5W-5700-24D-SP-GP	115x115x95	0.45	600x478x210	18.00
/	LEDSpotRA HQ 7.5W-5700-40D-SP-GP	115x115x95	0.45	600x478x210	18.00

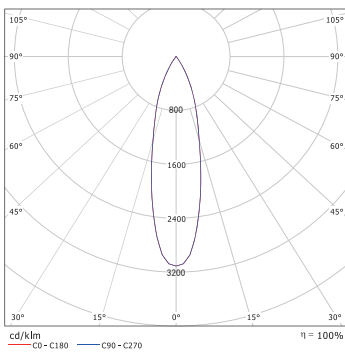
## Dimensional Drawing



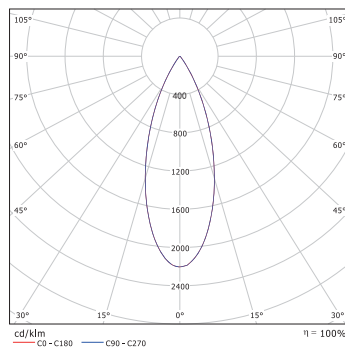
## Cut-out Drawing



## Photometric Data



24°(5W/7W)



40°(5W/7W)