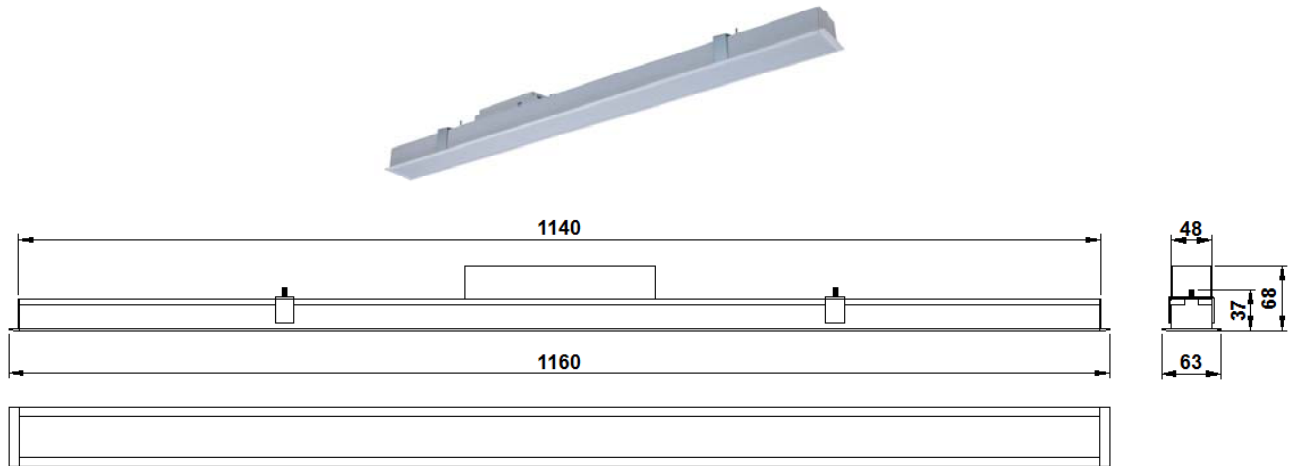




COMMERCIAL DECORATIVE LIGHTING

BRTXn 20W LED4F WH / NW / WW



Cutout required in ceiling: 1145mm x 55mm

NOMINAL DIMENSIONS IN mm Tolerance +/-5

Application

- Premium & Mini offices, Shopping malls,
- Consultancy rooms, Reception areas,
- Hospitality industry.

Specification

- Housing: Extruded aluminium housing fitted with engg. Plastic end plates.
- Diffuser: Easy fit opal acrylic diffuser provides smooth light distribution.
- LEDs: Mounted on PCB and connected in series parallel combination.
- Luminaire is available with different color temperature: White (WH) : 5700°K \pm 300°K
Neutral White (NW): 4000°K \pm 275°K
Warm White (WW): 3000°K \pm 250°K
- Driver: constant current output driver, operating range 150 – 275V AC supply voltages, placed externally on top of the luminaire.
- Mounting type: Luminaire is recess mounted with the help of mounting bracket provided behind the luminaire.

Note: Suitable for standalone installation only.

Electrical Data

Product Code	Cat. Ref.	Total System Wattage (W)	Nominal Voltage (V)	Mains Current in Milli Amps. At 240 V	Power Factor	THD.
112120	BRTXn 20W LED4F WH	20	240	95	0.95	<10%
112121	BRTXn 20W LED4F NW	20	240	95	0.95	<10%
112210	BRTXn 20W LED4F WW	20	240	95	0.95	<10%

Data subject to variation due to change/improvement in the design, materials and processes.

	DRAWN	KPM	16-03-2015	FOR –
	CHECKED	SP		REV - 0 DATE– 31-08-2015
	APPROVED	DVRS		DRG.No
	DATA SHEET RELEASED ON DT-			BRTXn 20W LED4F- 001
BAJAJ ELECTRICALS LIMITED 15/17, SANT SAVTA MARG, REAY ROAD, MUMBAI-400 010.				* E-mail : luminaires@bajajelectricals.com