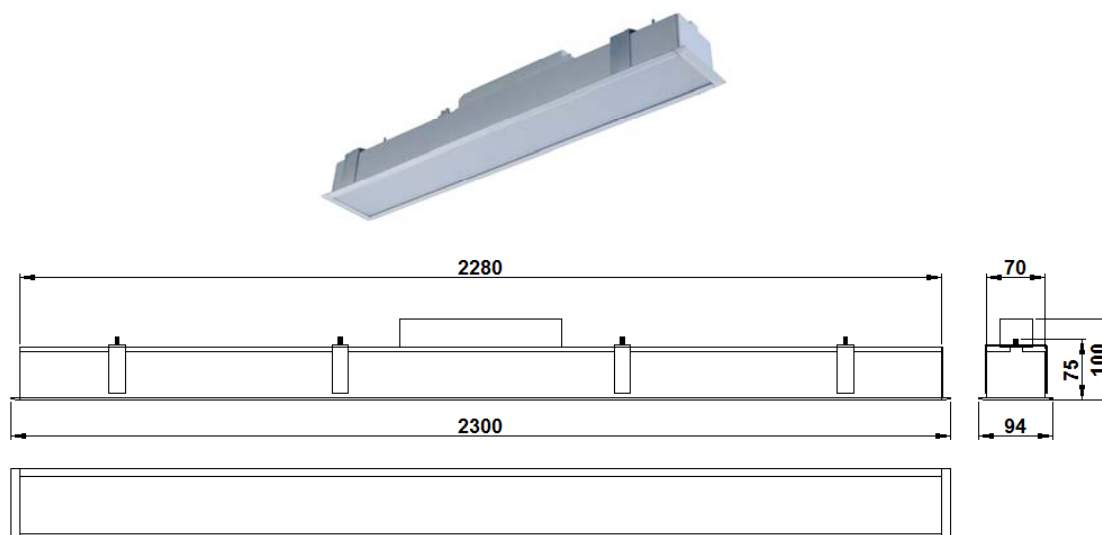




COMMERCIAL DECORATIVE LIGHTING  
 "CONNECT"  
 BRTX 2-20W LED8F NW / WH / WW



Cutout required in ceiling: 2285mm x 75mm

NOMINAL DIMENSIONS IN mm Tolerance +/-5

### Application

- Premium & Mini offices, Shopping malls,
- Consultancy rooms, Reception areas,
- Hospitality industry.

### Specification

- Housing: Extruded aluminium housing fitted with engg. Plastic end plates.
- Diffuser: Easy fit opal acrylic diffuser provides smooth light distribution.
- LEDs: Mounted on PCB and connected in series parallel combination.
- Luminaire is available with different color temperature: White (WH) : 5700°K  $\pm$ 300°K  
 Neutral White (NW): 4000°K  $\pm$ 275°K  
 Warm White (WW): 3000°K  $\pm$ 250°K
- Driver: 2 nos., constant current output driver, operating range 150 – 275V AC supply voltages, placed externally on top of the luminaire.
- Mounting type: Luminaire is recess mounted with the help of mounting bracket provided behind the luminaire.

**Note:** For connecting one luminaire to other, refer installation instruction sheet available with the packaging.

### Electrical Data

Product Code	Cat. Ref.	Total System Wattage (W)	Nominal Voltage (V)	Mains Current in Milli Amps. At 240 V	Power Factor	THD.
112199	BRTX 2-20W LED8F NW	40	240	180	0.95	<10%
112200	BRTX 2-20W LED8F WH	40	240	180	0.95	<10%
112201	BRTX 2-20W LED8F WW	40	240	180	0.95	<10%

Data subject to variation due to change/improvement in the design, materials and processes.

	DRAWN	KPM	16-03-2015	FOR –
	CHECKED	SP		REV - 0 DATE-31-08-2015
	APPROVED	DVRS		DRG.No
	DATA SHEET RELEASED ON DT-			<b>BRTX 2-20W LED8F- 001</b>
BAJAJ ELECTRICALS LIMITED 15/17, SANT SAVTA MARG, REAY ROAD, MUMBAI-400 010.				* E-mail : <a href="mailto:luminaires@bajajelectricals.com">luminaires@bajajelectricals.com</a>