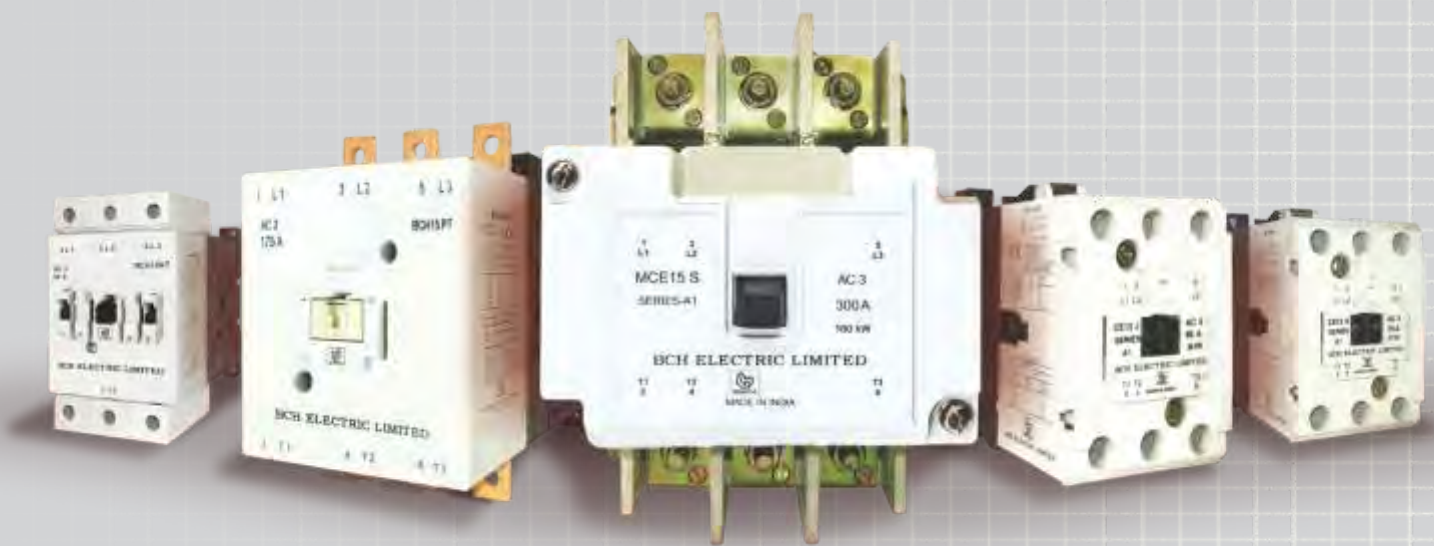


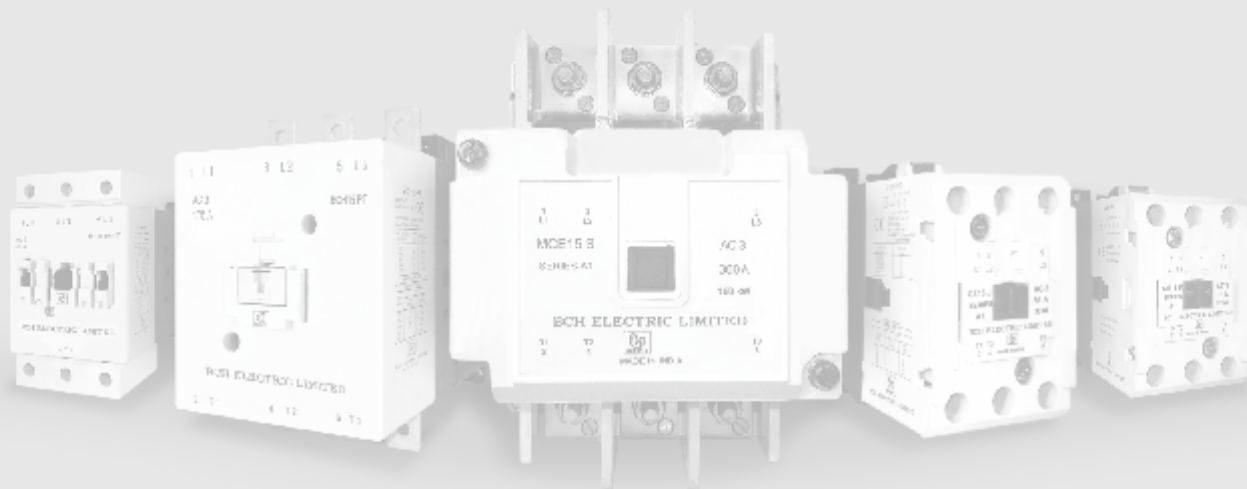
DUROS freedom -Born Rugged

Contactors & Overload Relays

DUROS
Freedom Series



BCH ELECTRIC LIMITED



INDEX

DUROS
Freedom Series

CONTACTOR SPECIFICATIONS

1 - 3

CONTROL CONTACTOR & OVERLOAD RELAYS

4 - 6

ORDERING INFORMATION

6

ADD-ON ACCESSORIES

7

MECHANICAL DIMENSIONS & CHARACTERISTIC CURVES

8 - 12

INDUSTRIES & APPLICATIONS

13

ABOUT BCH

14

BCH **DUROS** Freedom Contactors

Ever Wondered...

Having a contactor which can perform efficiently in spite of the Harshest & Toughest environmental conditions?

Having a contactor which can last a life time?

Having a contactor which can save more energy?

Having a contactor which can fit into your smallest space available?

BORN RUGGED

The background of the page is a faded, grayscale image of an industrial refinery or chemical plant. It features several tall distillation columns with ladders and platforms, and several large cylindrical storage tanks in the foreground. A blue, distressed-style stamp with the words "BORN RUGGED" in white, bold, uppercase letters is tilted and placed over the right side of the image.

UNMATCHED PERFORMANCE IN TOUGH ENVIRONMENTS

- **Highly reliable operation**
- **No deration up to 60° C (AC3 duty)**
- **Time tested for heavy duty applications for 2 decades**

LASTS A LIFE TIME

- **Rugged construction**
- **Electrical life as high as 2.7 Million**
- **Mechanical life as high as 20 Million**
- **Insulation Voltage as high as 1 kV**
- **Impluse voltage as high as 8 kV**



ENERGY EFFICIENCY - THE GREENEST CONTACTOR



- Lower VA burdens (as low as 5 VA)
- Clean Pick-up
- Sophisticated Electronic control

MOST COMPACT DESIGN

- Most compact construction
- Higher ratings in lower frame sizes
 - 110A contactor in 79mm frame
 - 175A contactor in 110mm frame



CONTACTOR GENERAL CHARACTERISTICS Standard - IS/IEC 60947-4-1

Operating Temperature : -20°C to +60°C
 Operating Altitude : 2000m
 Humidity : 50% RH at 60°C
 : 95% RH at 40°C
 Vibration : 5 to 100 Hz (0.7g in x,y,z plane)
 Operating position : ±30°



CONTACTOR CAT. REFERENCE		CE15AN 3=B	CE15BN 3=B	CE15CN 3=B	CE15DN 3=B	CE15EN 3=B	CE15FN 3=B	CE15GN 3=B	CE15HN 3=B	CE15JN 3=B	CE15KN 3=B
Nominal current rating at 380/415V 50Hz (AC3 Duty)	I _e (A)	6	9	12	18	25	32	40	50	65	75
Standard power rating at 380V / 415V 50Hz	P (kW)	2.2/2.2	4/4	5.5/5.5	9.0/9.0	11/11	15/15	18.5/22	22/25	30/37	37/37
Electrical endurance at rated current AC3 Duty	Million	2.7	2.3	2.1	1.5	1.5	1.7	1.1	1.3	1.4	1.3
Maximum frequency of no load operation	op/h	600	600	600	600	600	600	600	600	600	600

MECHANICAL DATA

Frame size	mm	45						65			
Number of poles		4	4	4	3	3	3	3	3	3	3
Mounting Dimensions	mm	M4 34.5x60						M5 55x95			
Weight	Kg	0.41	0.41	0.41	0.44	0.44	0.44	1.28	1.28	1.28	1.28
Mechanical durability	Million	20	20	20	20	20	20	10	10	10	10

POWER CIRCUIT

Operational voltage	U _e (V)	660	660	660	660	660	660	660	660	660	660
Insulation voltage	U _i (V)	690	690	690	690	690	690	690	690	690	690
Impulse Voltage withstand	kV	6	6	6	6	6	6	6	6	6	6
Thermal current	I _{th} (A)	20	20	20	32	40	40	60	75	80	80
Connections	mm ²	2.5	2.5	2.5	6	6	6	25	25	25	25
AC-1 Duty rated at 380/415V 50Hz	I _e (A)	20	20	20	32	40	40	60	75	80	80
AC-4 Duty rated at 380/415V 50Hz	I _e (A)	6	9.1	12	16	23	23	37	44	50	59
Electrical life at rated current AC4 Duty	ops.	60000	59000	43000	67000	52000	75000	58000	62000	35000	34000
AC-4 Duty rating for 200000 operations	I _e (A)	2.5	4.3	4.8	8.3	10	12	17	34	34	34
Stator current rating acc. to AC2 Duty (A) ≤55°C	100% DF	6	9	12	16	25	32	40	50	65	73
Rotor Duty rating-Delta Connected (A) ≤40°C	100% DF	12	16	21	29	40	52	64	76	104	126
	60% DF	15	21	27	38	51	67	83	98	134	163
	40% DF	19	26	33	47	63	82	101	120	164	200
	20% DF	27	36	46	66	89	116	143	170	232	283
Maximum Rotor Voltage - Starting & Inching Starting & Plugging		Delta connected - 1160V ; Star connected - 1380V Delta connected - 580V ; Star connected - 690V									
Transformer primary switching 500V AC	A	3.1	4.2	5.4	7.6	10	13	15	20	20	24
Capacitor switching (single bank only) 380/400V, 3ph	kVAR	4.9	6.7	8.6	12	15	15	25	30	37	40

CONTROL CIRCUIT

Coil VA Consumption	Pickup	VA	70			92			230		
	Seal	VA	6.4			8			28		

■ Suffix code for Coil Voltage • Code for built-in Aux. Contact (S-1NO, C-1NC)

CONTACTOR GENERAL CHARACTERISTICS Standard - IS/IEC 60947-4-1

Operating Temperature : -20°C to +60°C
 Operating Altitude : 2000m
 Humidity : 50% RH at 60°C
 : 95% RH at 40°C
 Vibration : 5 to 100 Hz (0.7g in x,y,z plane)
 Operating position : ±30°



CONTACTOR CAT. REFERENCE		BCH15KT -3·11·■	BCH15LT -3·11·■	BCH15MT -3·11·■	BCH15NT -3·11·■	BCH15PT -3·11·■	MCE15RN 3=7	MCE15SON 3=7	MCE15SN 3=7	
Nominal current rating at 380/415V 50Hz (AC3 Duty)	Ie (A)	80	95	110	150	175	200	265	300	
Standard power rating at 380V / 415V 50Hz	P (kW)	37 / 40	45 / 47	55 / 59	75 / 80	90 / 95	110/110	90/90	160/160	
Electrical endurance at rated current AC3 Duty	Million	0.8	0.8	0.8	0.8	0.8	0.52	0.55	0.351	
Maximum frequency of no load operation	op/h	3000			1200		600	600	300	
MECHANICAL DATA										
Frame size	mm	79			110		178			
Number of poles		3	3	3	3	3	3	3	3	
Mounting Dimensions	mm	M5 70x100			M5 100x130		M6 160x166.5			
Weight	Kg	1.8		2.2	4		8.3			
Mechanical durability	Million	10					5			
POWER CIRCUIT										
Operational voltage	Ue (V)	1000					660			
Insulation voltage	Ui (V)	1000					690			
Impulse Voltage withstand	kV	8	8	8	8	8	6	6	6	
Thermal current	Ith (A)	125		135	230	250	300	315	315	
Connections	mm ²	50			120		240			
AC-1 Duty rated at 380/415V 50Hz	Ie (A)	125		135	230	250	300	315	315	
AC-4 Duty rated at 380/415V 50Hz	Ie (A)	80	90	110	150	175	140	165	170	
Electrical life at rated current AC4 Duty	ops.	20000					65000	60000	60000	
AC-4 Duty rating for 200000 operations	Ie (A)	27	31	34	41	50	70	75	80	
Stator current rating acc. to AC2 Duty (A) ≤55°C	100% DF	80	95	110	150	175	200	265	300	
Rotor Duty rating-Delta Connected (A) ≤40°C	100% DF	160	175	224	280	350	393	425	465	
	60% DF	185	200	250	325	406	507	550	600	
	40% DF	217	236	245	380	475	621	700	735	
	20% DF	272	296	360	475	594	879	950	1040	
Maximum Rotor Voltage - Starting & Inching Starting & Plugging		Delta connected - 1160V ; Star connected - 1380V Delta connected - 580V ; Star connected - 690V								
Transformer primary switching 500V AC	A	36	40	50	65	80	90	100	135	
Capacitor switching (single bank only) 380/400V, 3ph	kVAR	40	50	60	80	100	110	140	158	
CONTROL CIRCUIT										
Coil VA Consumption	Pickup	VA	250			350		1040		
	Seal	VA	19			5		116		

■ Suffix code for Coil Voltage

CONTACTOR GENERAL CHARACTERISTICS Standard - IS/IEC 60947-4-1

Operating Temperature : -20°C to +60°C
 Operating Altitude : 2000m
 Humidity : 50% RH at 60°C
 : 95% RH at 40°C
 Vibration : 5 to 100 Hz (0.7g in x,y,z plane)
 Operating position : ±30°



CONTACTOR CAT. REFERENCE		BCH54 ·3·22·■	BCH55 ·3·22·■	BCH57 ·3·22·■	BCH62 ·3·22·■	BCH64 ·3·22·■	BCH76 ·3·12·■	BCH78 ·3·12·■
Nominal current rating at 380/415V 50Hz (AC3 Duty)	I _e (A)	400	450	550	700	860	1000	1200
Standard power rating at 380V / 415V 50Hz	P (kW)	220/240	220/240	280/315	375/400	475/500	550/600	650/700
Electrical endurance at rated current AC3 Duty	Million	0.6	0.6	0.6	0.6	0.6	0.6	0.6
Maximum frequency of no load operation	op/h	300	300	300	300	300	120	120

MECHANICAL DATA								
Frame size	mm	220			280		334	
Number of poles		3	3	3	3	3	3	3
Mounting Dimensions	mm	M8 110x220			M10 175x280		M12 120x380	
Weight	Kg	13.0	13.0	13.5	26.4	27.6	49	53
Mechanical durability	Million	5	5	5-10	5-10	5-10	1-5	1-5

POWER CIRCUIT									
Operational voltage	U _e (V)	1000	1000	1000	1000	1000	690	690	
Insulation voltage	U _i (V)	1000	1000	1000	1000	1000	690	690	
Impulse Voltage withstand	kV	8	8	8	8	8	8	8	
Thermal current	I _{th} (A)	600	600	760	1000	1100	1200	1350	
Connections	mm ²	2(40x5)	2(40x5)	2(50x5)	2(60x5)	2(60x6)	2(60x6)	2(60x6)	
AC-1 Duty rated at 380/415V 50Hz	I _e (A)	600	600	760	1000	1100	1200	1350	
AC-4 Duty rated at 380/415V 50Hz	I _e (A)	400	450	550	700	860	1000	1200	
Electrical life at rated current AC4 Duty	ops.	6000	6000	6000	6000	6000	6000	6000	
AC-4 Duty rating for 200000 operations	I _e (A)	100	115	140	185	215	265	300	
Stator current rating acc. to AC2 Duty (A) ≤55°C	100% DF	400	450	550	700	860	1000	1200	
Rotor Duty rating-Delta Connected (A) ≤40°C	100% DF	750	840	1060	1400	1540	1680	1850	
	60% DF	860	960	1210	1600	1760	1930	2120	
	40% DF	1020	1130	1430	1890	2080	2270	2500	
	20% DF	1300	1420	1790	2370	2610	2840	3130	
Maximum Rotor Voltage - Starting & Inching Starting & Plugging		Delta connected - 1700V ; Star connected - 2000V Delta connected - 850V ; Star connected - 1000V					Delta connected - 1160V ; Star connected - 1380V Delta connected - 580V ; Star connected - 690V		
Transformer primary switching 500V AC	A	185	203	250	315	390	450	540	
Capacitor switching (single bank only) 380/400V, 3ph	kVAR	190	200	250	350	400	450	500	

CONTROL CIRCUIT									
Coil VA Consumption	Pickup	VA	950			1600		2450	
	Seal	VA	11			25		75	

■ Suffix code for Coil Voltage

CONTROL CONTACTOR & OVERLOAD RELAYS

CONTROL CONTACTOR

Control Relay		D15CR22=, D15CR31=, D15CR40=	
Standards		IEC 60947-1, 60947-5	
Width (mm)		45	
Number of Poles		4	
Protection against Direct Contact		IP20	
Mechanical Life Span		20 Million	
Weight		410 gm	
Environment Pollution Degree IEC 60947-4-1		3	
Impulse Withstand Voltage IEC 60947-1		6kV	
Operating Temp. (open)		-20 to + 65°C	
Operating Altitude		2000m	
Operating Position (Related to normal mounting position)		±30°	
Contact Rating (rated thermal current, open I _{th})		10A	
Rated Insulation Voltage U _i		690V	
Operating Frequency Limits		50 to 60Hz	
AC 15 Duty	U_e	VA	I_e
Control of AC	48	480	10
Electromagnetic Loads (Greater than 72VA)	120	720	6
	240	960	4
	440	880	2
	660	990	1.5
	DC 13 Duty	U_e	W
Control of DC	24	192	8
Electromagnets	48	288	6
	120	120	1
	220	110	0.5
	440	110	0.25
	660	66	0.1
Coil Data	refer CE15BN • 3=		



THERMAL OVERLOAD RELAYS



THERMAL OVERLOAD RELAYS		MC318ANA* / MC318GNA*	CT*MC305ANA3C	MC305ANA3*
Storage temperature	deg C.	-40 -- +70	-40 -- +60	-40 -- +60
Operating temperature	deg C.	-25 -- +55	-10 -- +55	-10 -- +55
Fixing		Direct/ Independent mounting	Independent mounting	Direct mounting
POWER CIRCUIT				
Rated Insulation Voltage U _i (V)		690	690	690
Tripping Class as per IEC 947-4-1		10A	20	10
Switching Frequency Op./ Hr		15	15	15
AUXILIARY CIRCUIT				
Type of contacts		1NO+1NC	1C/0	1C/0
Reset type		Auto/ manual selectable	Auto/ manual selectable	Auto/ manual selectable
Rated voltage U _i at NO/ NC contacts (V)		500	600	600
Rated operational current	240V (A)	3(NC)/ 1.5(NO)	2.5	2.5
	AC15 440V (A)	1.9(NC)/ 0.95(NO)	1.4	1.4
	500V (A)	1(NC)/ 0.75(NO)	1.2	1.2
I _e DC13 220V (A)		0.12(NC)/ 0.04(NO)	0.12	0.12
Gg class protection fuse (A)		10(NC)/ 6(NO)	4	4

* Please refer page no.5 for corresponding suffix.

OVERLOAD RELAYS

Citation Relay (Range: 0.195A to 600A)

- Built-in Single Phasing Protection
- Ambient Temperature Compensation
- Test button for checking tripping mechanism
- Field convertible auto/manual reset
- Snap on cover
- Contactor mounting & separate mounting for flexibility
- Trip class 10

RELAY TYPE	Relay Range (A)	* Suffix for Corresponding range
 <p>CITATION DIRECT : MC305ANA3*</p>	0.195 to 0.31	A
	0.30 to 0.48	B
	0.47 to 0.75	C
	0.72 to 1.14	D
	1.07 to 1.70	E
	1.58 to 2.50	F
	2.40 to 3.80	G
	3.80 to 6.00	H
	6.00 to 9.30	J
	8.90 to 13.50	K
	13.20 to 20.00	L
	17.40 to 24.00	M
	22.00 to 30.00	N
 <p>CITATION - CT OPERATED : CT*MC305ANA3C</p>	24.40 to 39.00	1
	37.60 to 60.00	2
	56.40 to 90.00	3
	84.60 to 135.00	4
	131.60 to 210.00	5
	188.00 to 300.00	6
	263.20 to 420.00	7
	376.00 to 600.00	8

CITATION ACCESSORIES	CAT REFERENCE	RELAY TYPE
DIN Rail Kit	MC305DM1	For A - K Relay
	MC305DM2	For L - N Relay
Adjustment Cover	MC305PC	
Terminal Block*	MC305TB1	For Relay up to K Range
Terminal Block*	MC305TB2	For L, M & N Ranges
Terminal Block	MC305TB3	For Terminal Side (L, M & N Ranges)

* Terminal Block are meant for converting contactor Mounting Relays to individual Mounting Relays. With N Relays use of Terminal Block MC305TB3 is essential.

DUROS FREEDOM RELAY

RELAY TYPE

Relay Range (A)

* Suffix for Corresponding range

DUROS Freedom Relay (Range: 0.1A to 32A)

- Built-in Single Phasing Protection
- Ambient Temperature Compensation
- Test button for checking tripping mechanism
- Field convertible auto/manual reset
- Contactor mounting & separate mounting for flexibility
- Trip class 10A

DUROS FREEDOM RELAY - DIRECT : MC318ANA3*



Extending up to 80A shortly

0.10 to 0.16	A
0.16 to 0.25	B
0.25 to 0.40	C
0.40 to 0.63	D
0.63 to 1.00	E
1.00 to 1.40	F
1.30 to 1.80	G
1.70 to 2.40	H
2.20 to 3.10	J
2.80 to 4.00	K
3.50 to 5.00	L
4.50 to 6.50	M
6.00 to 8.50	N
7.50 to 11.00	P
10.00 to 14.00	Q
13.00 to 19.00	R
18.00 to 25.00	S
24.00 to 32.00	T

NOTES ON ORDERING INFORMATION

COIL VOLTAGE CODE FOR CONTACTORS

Coil Voltage AC

Suffix for AC

Suffix for DC*

COIL VOLTAGE CODE- SIZE D15CR, CE15AN, BCH15KT, BCH15LT, MCE15RN to SN

24	U	U3
42	R	-
48	W	W3
110	A	A3
220	B	B3
240	K	-
380	L	-
415	M	-
440	C	-
550	D	-

* DC coils are supplied upto size K/ 73A contactors

COIL VOLTAGE CODE FOR CONTACTORS

Coil Voltage AC

Suffix for AC

Suffix for DC*

BCH15MT, BCH15NT, BCH15PT

24	24	-
110	110	-
220/240	220	-
380	380	-
440	440	-
550	550	-

COIL VOLTAGE CODE FOR CONTACTORS

Coil Voltage AC

Suffix for AC

Suffix for DC

BCH55 to BCH64

110	110	110
220	220	220
380	380	380
440	440	440

COIL VOLTAGE CODE FOR CONTACTORS

Coil Voltage AC

Suffix for AC

Suffix for DC

BCH76, BCH78

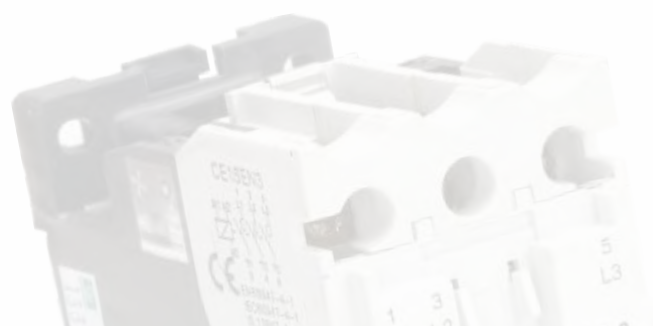
48	-	W17
110	A7	A17
220	B7	B17
380	L7	-
440	-	-

*Suffix code for Coil Voltage

ADD-ON ACCESSORIES

Additional Auxiliary Contact Blocks

Rated Thermal Current I _{th}	10A
Rated Insulation Voltage	690V
Operating Frequency	50 - 60 Hz
AC15 Duty at 220/240V	960VA, 4A
DC 13 Duty at 220V	110W, 0.5A
Conditional Short Circuit Current	1kA

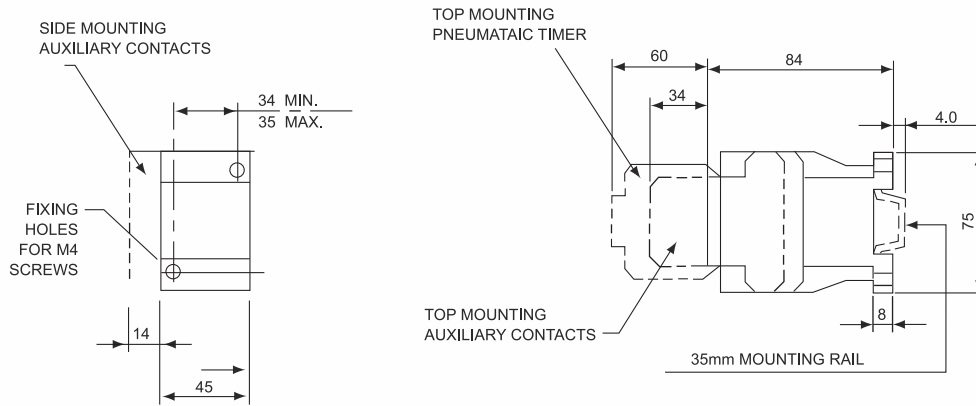


ACCESSORIES	CONFIGURATION	CAT NO.	CONTACTOR TYPE	
<p>Aux. Contact Block (side Mounting)</p>	1NO	C320KGSR10	CE15 & CR	
	1NO+1NC	C320KGSR11		
	1NC	C320KGSR01		
	2NO	C320KGSR20		
	<p>4th Neutral Switching Pole</p>	1NO+1NC	BCH15S11	BCH15
		1NO+1NC	MC320KB11	MCE15R to MCE15S
		2NO+2NC	EF22	BCH54 to BCH64
		1NO+1NC	EB11	BCH76 to BCH78
325A		NP325/5	BCH54 to 57	
500A	NP500/5			
500A	NP500/6	BCH62 to 64		
900A	NP900/6			
500A	NP500/7	BCH76 to 78		
900A	NP900/7			
<p>Aux. Contact Block (Front Mounting)</p>	1NO	C320KGTC10	CE15, CR	
	1NC	C320KGTC01		
	2NO	C320KGT*20		
	2NC	C320KGT*02		
	1NO+1NC	C320KGT*11		
	2NO+2NC	C320KGT*22		
	3NO+1NC	C320KGT*31		
	4NO	C320KGT*40		
	1NO+3NC	C320KGT*13	BCH15	
	4NC	C320KGT*04		
	4NO	BCH15T40		
	3NO+1NC	BCH15T31		
	2NO+2NC	BCH15T22		
	1NO+1NC	BCH15T11		
	1NO	BCH15T10		
	1NC	BCH15T01		
<p>Pneumatic Timer Block "On/Off" Delay site selectable</p>	1NO+1NC (0.1 to 30 sec)	C320TP1	CE15, CR, BCH15	
	1NO+1NC (0.1 to 180 sec)	C320TP2		
<p>Mechanical Interlocks</p>	-	C321KM60	CE15, CR	
	-	MC321KM3	MCE15R to MCE15S	
	H-Horizontal V-Vertical		BM5H / BM5V	BCH54 to 57
			BM6H / BM6V	BCH62 to 64
			BM7H / BM7V	BCH76 to 78
		BM0H	BCH15	
		BM3H		
<p>Coil Surge Suppressors</p>	24-48V (50/60Hz)	MC320LR11	CE15, CR	
	110-240V (50/60Hz)	MC320LR12		

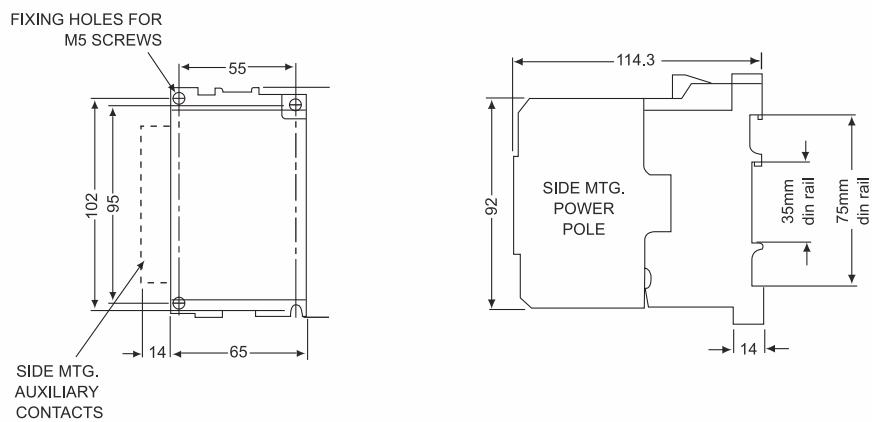
*Suffix code for Coil Voltage

CONTACTOR DIMENSION (mm)

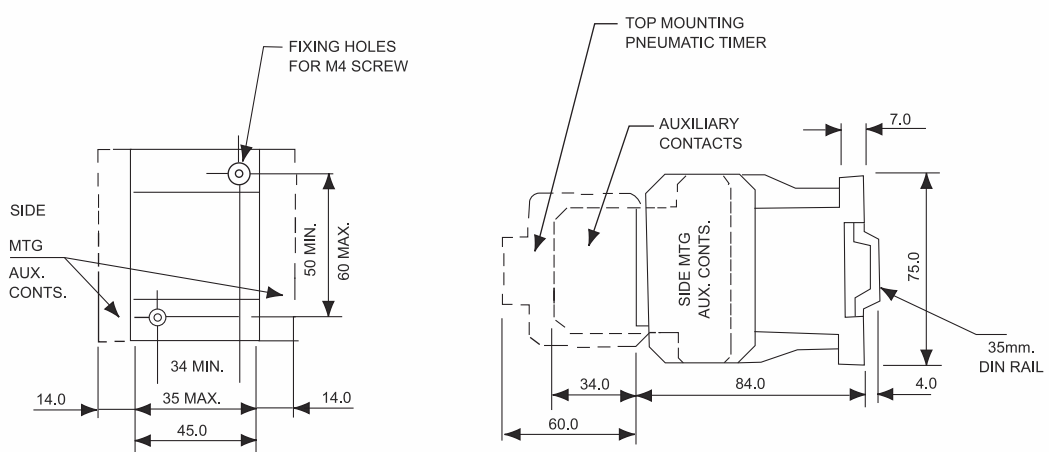
CE15BN TO FN



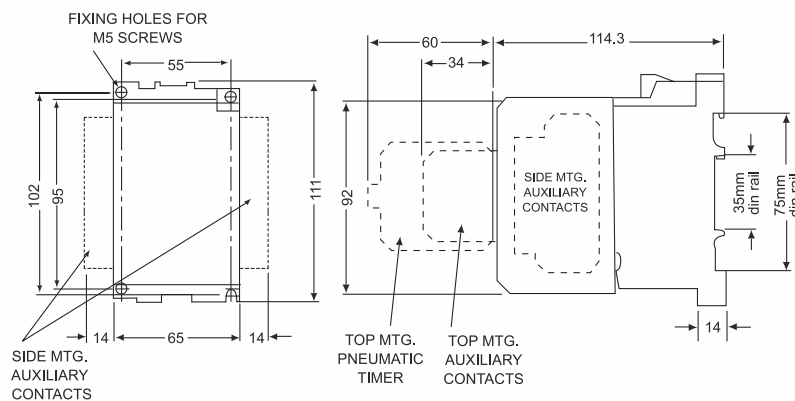
CE15GN TO KN



CE15BN TO FN

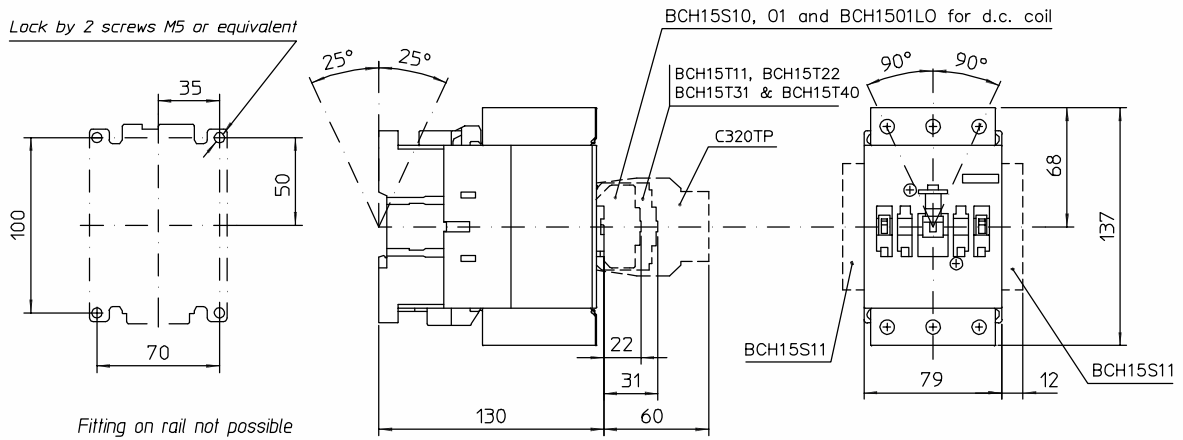


CE15GN TO KN

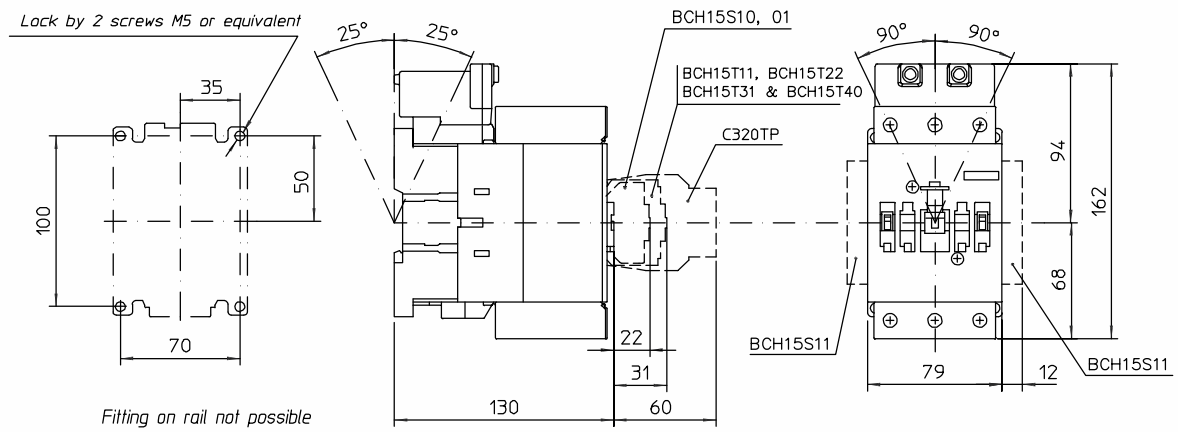


CONTACTOR DIMENSION (mm)

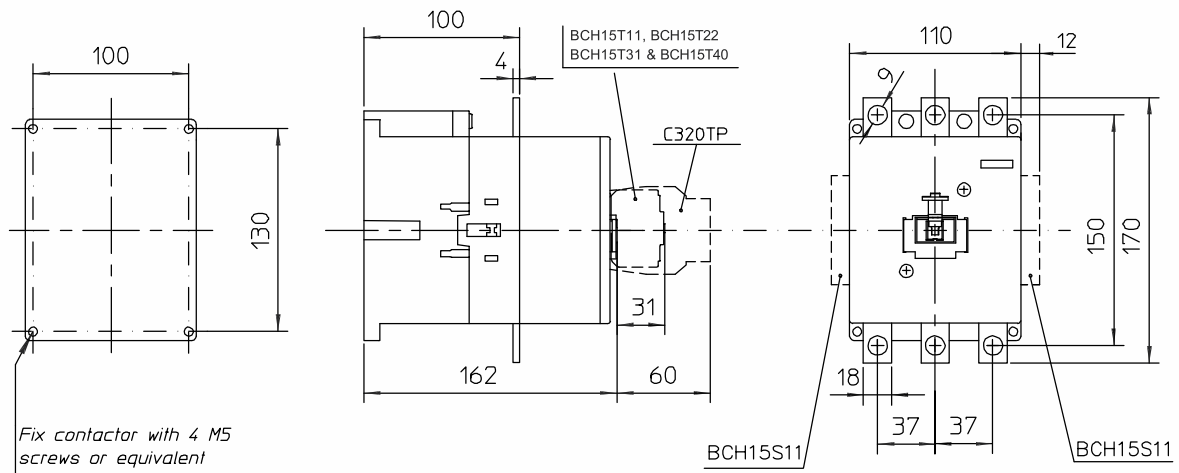
BCH15KT/LT



BCH15MT

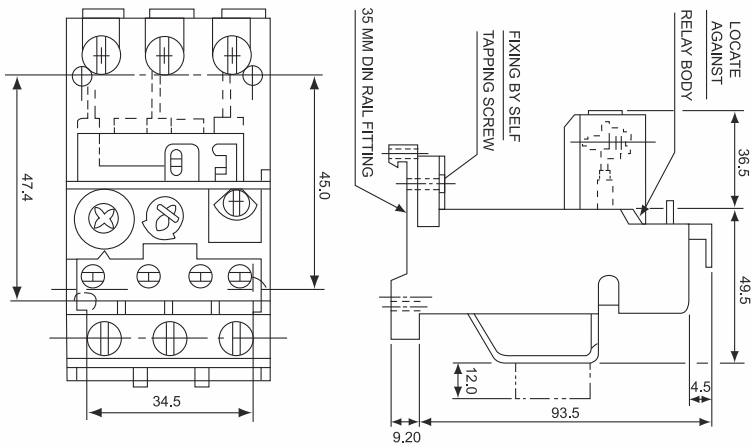


BCH15NT/PT

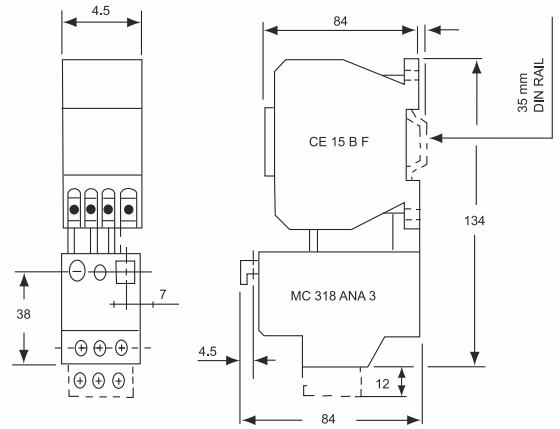


OVERLOAD RELAY - DIMENSIONS (mm)

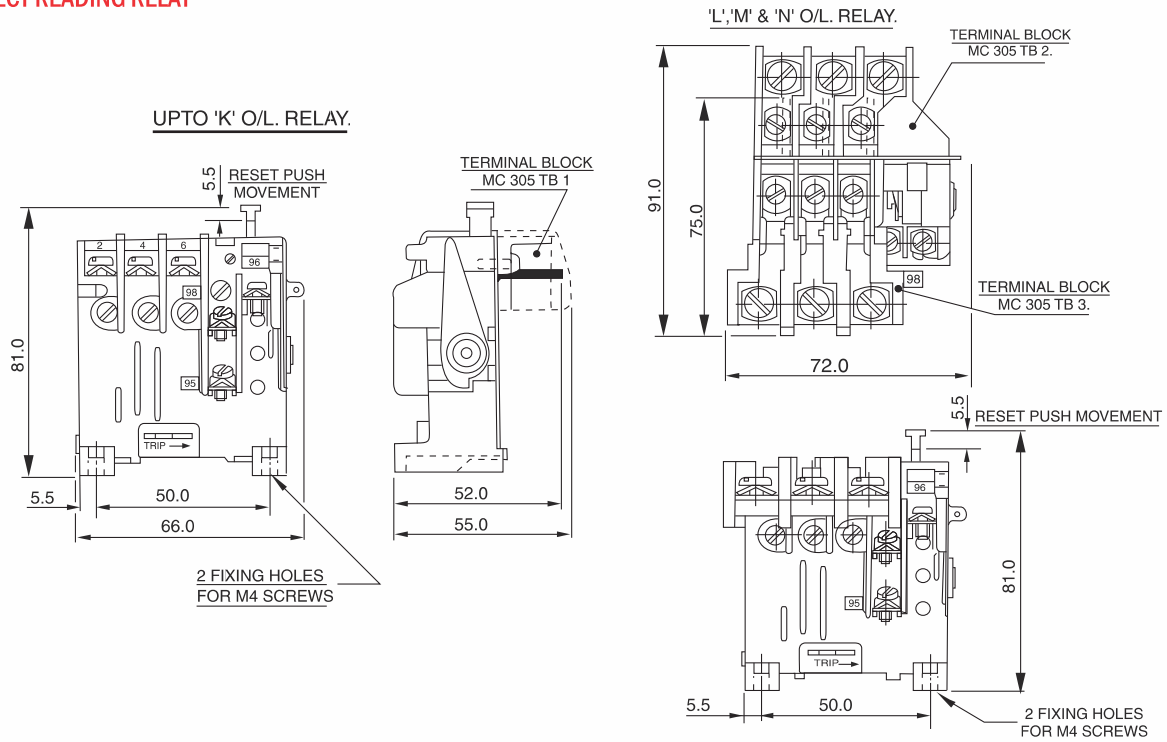
MC318ANA* + C318 F1



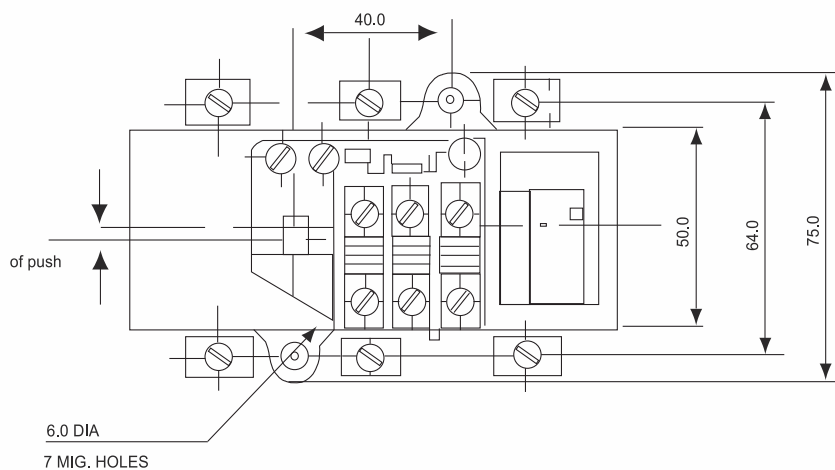
CE15BN TO FN + MC318ANA 3*



CITATION - DIRECT READING RELAY

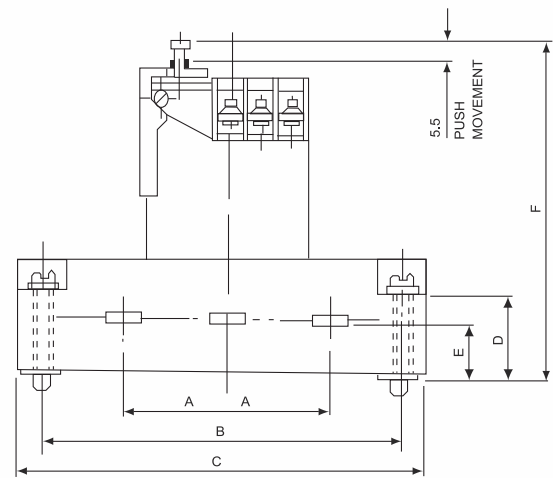
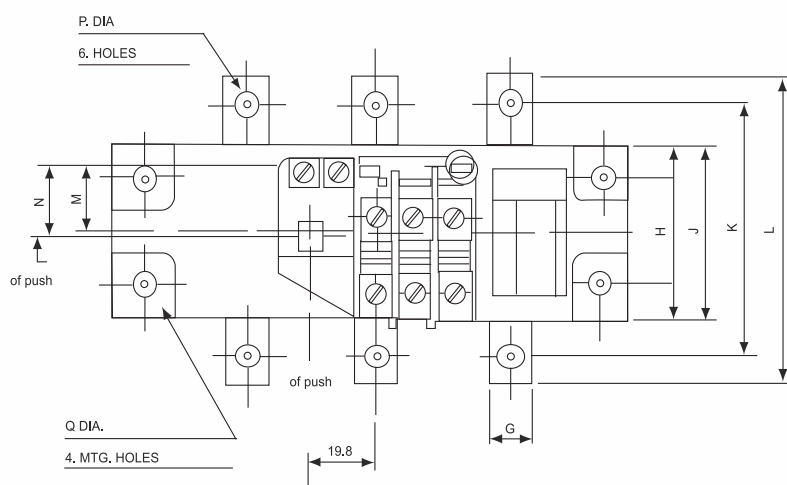


CT1



OVERLOAD RELAY - DIMENSIONS (mm)

CT2 - CT8



CT OPERATED RELAY

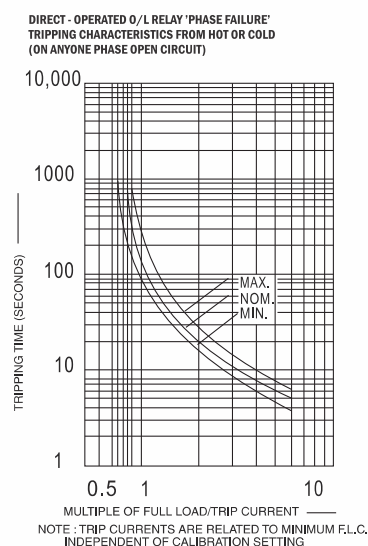
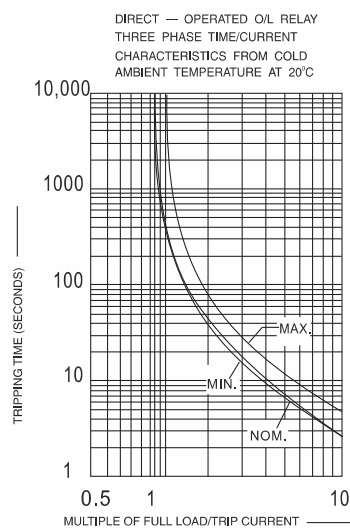
Relay/type	A	B	C	D	E	F	G	H	J	K	L	M	N	P	Q
CT1	40	40	125	-	-	123	-	-	50	64	76	-	-	-	7.0
CT2	44	138	156	35	21.5	125	12	32	50	74	90	18.0	21.0	6.5	7.0
CT3	54	162	180	43	25.5	133	22	32	50	82	106	18.0	21.0	13.0	7.0
CT4	54	162	180	43	25.5	133	22	32	50	82	106	18.0	21.0	13.0	7.0
CT5	60	182	200	63	34.5	153	32	32	50	88	116	18.0	21.0	13.0	7.0
CT6	60	182	200	63	34.5	153	32	32	50	88	116	18.0	21.0	13.0	7.0
CT7	86	252	270	63	33.0	153	34	32	50	100	140	18.0	21.0	16.5	7.0
CT8	86	252	270	63	33.0	153	34	32	50	100	140	18.0	21.0	16.5	7.0

WEIGHT (kg)

Citation M overload relay	: 0.123
Terminal block	: 0.029
C T operated relay	: CT1: 1.3
	CT2: 1.4
	CT3: 1.6
	CT5: 2.2
	CT6: 2.2
	CT7: 3.1
	CT8: 3.3

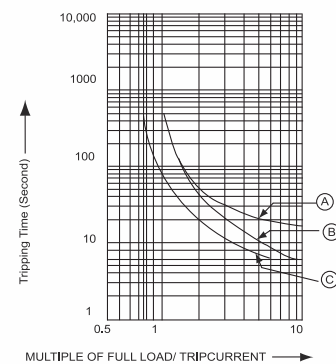
OVERLOAD CHARACTERISTIC (Time/Current)

CITATION DIRECT OPERATED OVERLOAD RELAY



SIZE CT* 305ANA 3C

FLC CURRENT RANGES 24.44 TO 600A



- A. Three phase characteristic at higher setting
- B. Three phase characteristic at lower setting.
- C. Single phase characteristic (Based on lower setting)

INDUSTRIES & APPLICATIONS

BCH Contactors have proven and time tested installed base in various industries, spanning over more than four decades, of which BCH Contactors have championed in following industries against all our competition.

Cement Plants

Cement Industries generally have very dusty environment with high ambient temperatures. This poses challenges to the switchgears. To meet these challenges we need rugged & reliable switchgear solutions



- Coal Handling
- Ash Handling
- Kiln application
- Crane application
- Packaging plant

Steel

Steel manufacturing is an extremely challenging industry which always demands rugged solutions with a focus on reducing the energy consumption



- Coke oven
- Hot Rolling Mill
- Blast Furnace
- Cranes
- Pulverizers

Cranes

The challenges of Material Handling Equipment (MHE) Industries lies in providing efficient solutions related to the movement, storage, control and protection of the material. Starting, Plugging & Inching operations demands rugged switchgears



- EOT Crane
- Rotary overhead cranes
- Gantry Cranes

Railways

Railways demands switching solution for the tough environmental conditions i.e. varied Temperatures, Humidity, Dusty conditions, High Vibration applications & High frequency Resistive braking.



- Air Conditioning
- Battery chargers
- Braking

BCH ELECTRIC LIMITED

an ISO 9001:2008 company, is today one of the leading manufacturers of low voltage electrical and electronic controls. It is a wholly owned Indian Company with a wide network of global business connections.

The company's strong focus on customer satisfaction is reflected in its wide product range, catering to the requirements of customers in the electrical field. This includes Automation, Switchgear, Enclosures, Brakes and Crane Control Products.

A strong R & D base, state-of-the-art tool design, development and manufacturing capabilities and emphasis on quality has helped the company achieve benchmarks for its products and services.

BCH Electric, as always, remains committed to customer satisfaction and loyalty, and will continue to broaden its portfolio with more services and products to further strengthen its partnership with customers.



Switchgear & Control Gear

Automation

Enclosures

Electric Motors

Wires & Cables

Reactive Power Management

Brakes and Crane Control

Custom Build Products

a strong commitment to serve better always...



BCH ELECTRIC LIMITED

Visit us at : www.bchindia.com

Corporate Office : 1105, New Delhi House, 27, Barakhamba Road, New Delhi-110 001 Tel. : 91-11-23316029/3610/6539/43673100 Fax : 91-11-23715247

CIN : U31103WB1965PLC026427, Customercare No. 1800-103-9262, E-mail : marketing@bchindia.com

Registered Office : Block 1E, 216, Acharya Jagadish Chandra Bose Road, Kolkata - 700 017

Works 1 : 20/4, Mathura Road, Faridabad-121 006 (Haryana) Tel. : 0129-4063000/4293000 Fax : 0129-2304016

Works 2 : 64-68, Sector-7, IIE, Pant Nagar, Rudrapur, Udham Singh Nagar - 263 153 (Uttarakhand) Tel. : 05944-250214/16 Fax : 05944-250215

Sales Offices :

Ahmedabad
103, Aaron,
Nr. SBI Laghuudyug branch,
Behind Sakar-1
Gandhigram Railway station,
Ellis bridge, Ahmedabad - 380006
Tel. : 079-26589719
E-mail : ahmedabad@bchindia.com

Bangalore
B.M.H. Complex, 2nd Floor,
No. 22, Kengal Hanumanthiah Road,
Bangalore - 560 027
Tel. : 080-22273478/41144878/
41144879
Fax : 080-22236759
E-mail : bangalore@bchindia.com

Bhubaneswar
Mallick Commercial
Complex Plot No.: A/69, unit - 3
Bhubaneswar - 751 001
Tel. : 0674-2380988
E-mail : bhubaneswar@bchindia.com

Chandigarh (Panchkula)
Sco -129, Iind Floor,
Mdc, Sector-5 Panchkula,
Haryana-134 109
Tel. : 0172-5078957 / 5049905
Fax : 0172-5049905
E-mail : chandigarh@bchindia.com

Chennai
Flat No. 3A, 3rd Floor,
Sree Apartments,
No.508, TTK Road,
Alwarpet, Chennai 600 018
Tel. : 044-24337046, 24337047
Fax : 044-24337047
E-mail : chennai@bchindia.com

Coimbatore
87, Dr. Nanjappa Road,
Coimbatore - 641 018
Tel. : 0422-2305311
Fax : 0422-2302599
E-mail : coimbatore@bchindia.com

Dehradun
8, Co-operative Industrial Estate,
Patel Nagar, Dehradun-248001
E-mail : dehradun@bchindia.com

Faridabad
20/4, Mathura Road,
Faridabad - 121 006 (Haryana)
Tel. : 0129-2304016
E-mail : faridabad@bchindia.com

Hyderabad
1-8-303/48/13/102, Arya One,
2nd Floor, P. G. Road,
Secunderabad - 500 003
Tel. : 040-66206263/27890306
Fax : 040-66207273
E-mail : hyderabad@bchindia.com

Indore
330-331, Indraprastha Tower,
3rd Floor, 6, M.G. Road,
Indore - 452 001
Tel. : 0731-2510011
Fax : 0731-2510012
E-mail : indore@bchindia.com

Jaipur
25, Hathroi, Gopalbari,
Jaipur - 302 001
Tel. : 0141-5104521
Fax : 0141-2363521
E-mail : jaipur@bchindia.com

Jamshedpur
3rd Floor, Aastha Trade Centre,
'Q' Road, Bistupur,
Jamshedpur - 831 001
Tel. : 0657-2321097/2321481
E-mail : jamshedpur@bchindia.com

Kolkata
Block 1E, 216,
Acharya Jagadish Chandra Bose Road,
Kolkata - 700 017
Tel. : 033-22871728
E-mail : kolkata@bchindia.com

Lucknow
Madan Plaza, 3rd Floor,
14, Station Road,
Lucknow - 226 001
Tel. : 0522-4025597/4025997
Fax : 0522-4025697
E-mail : lucknow@bchindia.com

Ludhiana
S.C.O.- 18, 2nd Floor,
Feroze Gandhi Market,
Ludhiana - 140 001
Tel. : 0161-5021807/5022808
Fax : 0161-5021807
E-mail : ludhiana@bchindia.com

Mumbai
A-151, Mittal Tower,
Nariman Point,
Mumbai - 400 021
Tel. : 022-22822947/22850162
Fax : 022-22822858
E-mail : mumbai@bchindia.com

Nagpur
Flat No. T/12, 3rd Floor
Baldeo Apartment,
Behind Railway Station, Bajeria
Nagpur (M.S.) - 440018
E-mail : nagpur@bchindia.com

New Delhi
801, Akash Deep Building,
26A, Barakhamba Road,
New Delhi - 110 001
Tel. : 011-23313878/66307065
Fax : 011-23739230
E-mail : delhi@bchindia.com

Pune
8, Sarosh Bhavan,
16-B/1, Dr. Ambedkar Road,
Pune - 411 001
Tel. : 020-26052590
Telefax : 020-26135224
E-mail : pune@bchindia.com

Raipur
2nd Floor, Building No. B-234,
Indira Gandhi Vyavasayik Parisar,
Pandri, Raipur - 492 004
Tel. : 0771-4020213
Fax : 0771-2582680
E-mail : raipur@bchindia.com

Trichy
2B, Kannagi Street,
Ayyappa Nagar, K.K. Nagar
Trichy - 620 021, Tamilnadu
Tel. : +91-431-4040497
E-mail : trichy@bchindia.com

Vadodara
301, Third Floor, "Florence Classic",
10, Ashapuri Co-Op. Hsg. Soc. Ltd., Opp. VUDA Housing,
Near Cow Circle, Akota, Vadodara - 390 020
Tel. : +91-265-6548444/2345068/2345069
Telefax : 0265-2345068,
E-mail : vadodara@bchindia.com

Other Branch Locations

Bhubaneswar : bhubaneswar@bchindia.com, **Cochin :** cochin@bchindia.com, **Gurgaon :** gurgaon@bchindia.com, **Guwahati :** guwahati@bchindia.com, **Hospet :** hospet@bchindia.com, **Hubli :** hubli@bchindia.com, **Madurai :** madurai@bchindia.com, **Vishakapatnam :** vizag@bchindia.com, **Surat :** surat@bchindia.com

Resident Engineer Locations

Baddi	Gurgaon	Madurai	Rajahmundry
Bardhaman	Haridwar	Muzaffarnagar	Salem
Bhilai	Hubli	Nagpur	Surat
Bhubaneswar	Hospet	Nashik	Udaipur
Cochin	Jodhpur	Patna	Vapi
Dehradun	Kakinada	Puducherry	Vishakhapatnam
Durgapur	Kota	Rajkot	Warangal

Since product improvement is a continuous process, the data furnished in this brochure may undergo revision without prior notice.