

The young energy  
ensures more safety



Domestic Products Catalogue 2017

STANDARD

## CORPORATE OFFICE





## ABOUT STANDARD

STANDARD is a brand of India's leading FMEG company, Havells India Ltd., that offers a wide range of highly differentiated Domestic & Industrial Switchgear products and Domestic Cables. The brand has been serving the Indian customers for over five decades and has built a formidable reputation with its high quality products in domestic as well as international markets.

It offers products such as MCBs, RCCBs, Distribution Boards (DBs), MCCBs, RCBOs Changeover Switches, Switch Disconnecter Fuses (SDFs), HBC Fuses, Modular Switches, Copper Flexible Cables etc. In 2014-15, STANDARD marked its entry into consumer product category with the launch of premium range of Fans. Today, STANDARD boasts of having a comprehensive range of ceiling, table, wall-mounted, pedestal fans and domestic exhaust fans.

STANDARD has pan-India marketing and distribution network stretching over 42 branch offices, 1,200 authorized dealers and 10,000 strong retail outlets across the country. The company also has a wide presence in International markets including Middle East, South East Asian countries, Malaysia, Singapore, South Africa, Kenya, Ghana, Nigeria.

It has established a well-equipped infrastructure with state of the art facilities in terms of plant, machinery and testing. STANDARD products are manufactured at most modern and technologically advanced plants of its parent, Havells India, located in different parts of the country such as Haridwar, Baddi, Sahibabad, Faridabad and Alwar. All STANDARD products are designed on the lines of Indian & International specifications and tested by nationally accredited laboratories CPRI/ERDA.

STANDARD's R&D is ebbed in company's DNA. The company has a very strong R&D team that has driven innovation to continuously deliver world-class products. Its R&D centers are equipped with supreme quality CAD/CAM machines for its entire stage of design and development. The R&D team continuously works to create innovative solutions and new products of high reliability and safety catering to meet the ever-changing demands of various segments of customers. All its products are incorporated with special technology rated for 10% higher current carrying capacity and can withstand high temperature rise even during the worst of overloading conditions. It offers best in class safety features along with better performance during low voltage conditions too. STANDARD's entire product range offers high performance, best design and superior features like energy savings, longer life and shock proof to name a few.

With its mission to offer quality products, efficient customer service and everlasting relationship with partners, STANDARD holds unbeatable advantages like expertise in LT Switchgear since last four decades, technology leadership, excellent brand perception, wide dealer network, excellent after sales service and value for money to its customers.



# HARIDWAR PLANT



# CONTENTS

06 Miniature Circuit Breaker (MCB)

16 Switch Disconnecter (Isolators)

18 MCB Changeover Switch

22 Residual Current Circuit Breaker (RCCB / ELCB)

30 Residual Current Circuit Breaker With Overload & Short Circuit Protection (RCBO)

34 Distribution Boards & Enclosures

58 Metal Clad Plug & Socket





## DISTRIBUTION BOARDS & ENCLOSURES





Distribution Boards provide flexibility and a systematic approach to ever increasing need for effective methods of the electrical distribution in domestic, commercial and industrial application. STANDARD distribution boards have been specially designed to meet all the technical requirements and ensures the distribution boxes blend with the decor of the installation space.

The distribution boards with their features and their range offer a compact, practical and economic solution to any electrical network in residential / commercial complexes, industries etc. having single phase or three phase connections. The distribution board is not merely an enclosure but a complete system in itself comprising of ETP Copper bus bar, brass neutral link, earth link, earthing studs, and interconnection wires for effective distribution of current.

### FEATURES

- Superior aesthetics that blend well with the decor
- Made of special grade CRCA sheet steel to provide strength and longer life to enclosures
- Manufactured with latest technology CNC Punch and Brake presses to attain highest degree of perfection
- Painted with epoxy polyster and polyster resin based powder paints with latest techniques in powder coating ensures strong, scratch resistant coatings
- Current carrying parts are made of electrolytic grade of copper having high conductivity and low resistivity thereby keeping temperature rise and distribution loss very low
- Appropriate sizes of DIN rails to facilitate easy and fast mounting of MCBs, RCCBs, Isolators etc
- Brass neutral and earth bars of suitable cross-sectional areas are provided to facilitate connections for each outgoing terminals
- Adequate number of knockout holes of various sizes are provided both at the top and the bottom. This facilitate easy installation and connection of conduits of all sizes, both for top and bottom
- Detachable upper and lower end plates provided for easy and flexibility of cabling
- Superior single phase busbars provided which are completely insulated and fitted in PVC channel to avoid accidental touch
- Suitable for both flush and surface mounting
- Conforms to IS 13032 & IEC : 61439 -3
- Robust construction

## DISTRIBUTION BOARDS

### FEATURES

#### Masking - (Cement & Water guard)

During the construction stage the DBs can get ingressed with water & cement dust. This can spoil the decor and more importantly alter the performance parameters. STANDARD Smart Trek DBs come with a masking arrangement that keeps water and cement dust away.

#### WEATHER PROOF DESIGN

All DBs are provided with perfect fitted gaskets which ensures maximum ingress protection upto IP-43.



## RANGE

S.No.	Type	Configuration	Application
(a)	SPN	SPN Consumer	Simple, Economical & Safe distribution Simple, Economical & Safe distribution
(b)	TPN	TPN (Horizontal & Vertical)  Per Phase Isolation (PPI)	Three phase & neutral incoming and outgoing can be only single phase Three phase and neutral incoming, outgoing can be single phase as well as multi phase DP RCCB in each phase is provided to avoid the total outage as only the phase where earth leakage fault exist, get isolated.
(c)	Special	Extended loose Wire Three Tier Power Line 7 Segment DB Phase Selector(40&63A) Plug & Socket MCB Enclosures	Most flexible design Most flexible design For fault level higher then 10kA with a provision for MCCB incomer Single point distribution where per phase isolation facility is required Used for selection of a phase in case other phase fails Used for Air conditioner and motor protection To isolate / connect electrical appliances independently

Note: All features are not available in all types of DBs



## SPN POWERSHELL DOUBLE DOOR DISTRIBUTION BOARDS - IP 42

### RANGE

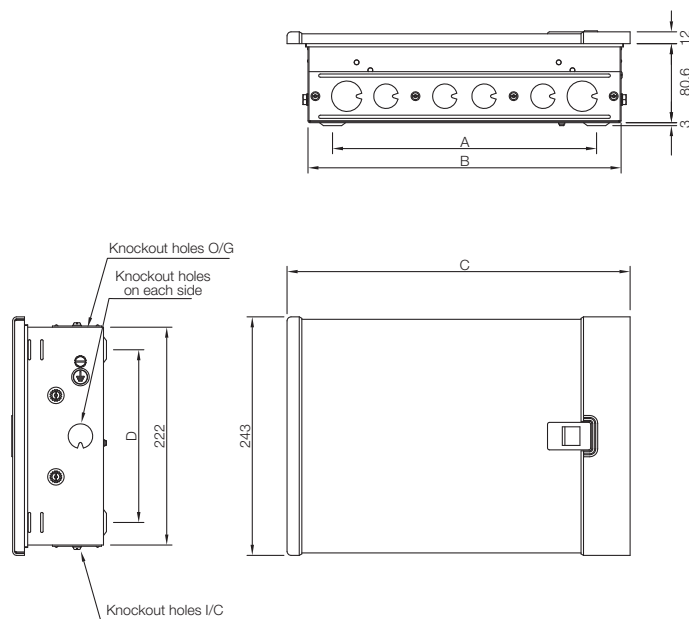
Powershell SPN DD - 4, 6, 8, 12 & 16W

### SPECIFICATION

IS: 13032 & IEC 61439 - 3

### FEATURES

- Aesthetically Pleasing Design
- Elegent color combination
- Corners of the top cover have been beautifully covered with new unique design of side channels.
- Transparent cement guard to protect the DB from construction spill over.



### Dimensions (in mm)

Ways	Powershell Description	Cat No. SPN Double Door	Dimensions				Knockout holes				
			A	B	C	D	Top		Bottom		Side (Each Side)
							(Ø25)	(Ø31)	(Ø25)	(Ø25)	
4	SPN 4W DD DB	DSDPSHODIW04	125	175	207	172	3	-	3	-	1
6	SPN 6W DD DB	DSDPSHODIW06	151	211	243	166	3	-	3	-	1
8	SPN 8W DD DB	DSDPSHODIW08	187	247	279	166	2	2	2	2	1
12	SPN 12W DD DB	DSDPSHODIW12	269	319	349	176	4	2	4	2	1
16	SPN 16W DD DB	DSDPSHODIW16	341	423	412	172	4	2	4	2	1

## TPN POWERSHELL DOUBLE DOOR DISTRIBUTION BOARDS - IP 42

### RANGE

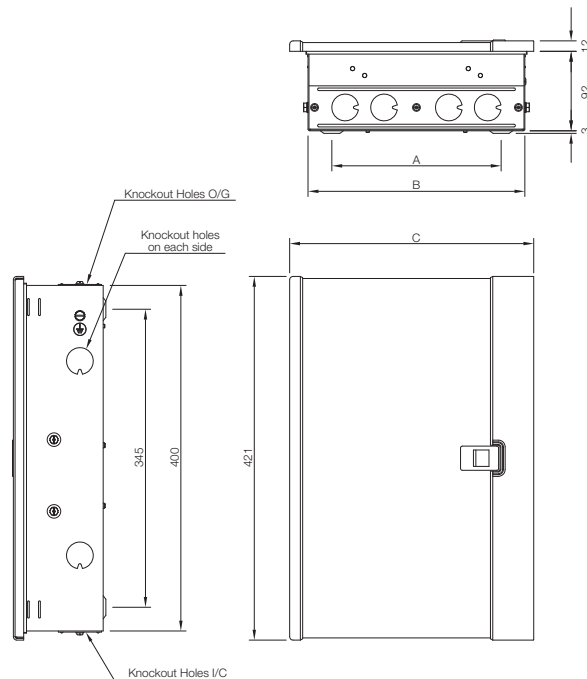
Powershell TPN DD - 4, 6, 8 & 12W

### SPECIFICATION

IS: 13032 & IEC 61439 - 3

### FEATURES

- Aesthetically Pleasing Design
- Elegant color combination
- Corners of the top cover have been beautifully covered with new unique design of side channels
- Transparent cement guard to protect the DB from construction spill over



### Dimensions (in mm)

Ways	Powershell Description	Cat No.	Dimensions			Knockout holes (Ø31)		
			A	B	C	Top	Bottom	Side (Each Side)
4	TPN 4W DD DB	DSDPTHODIW04	196	251	282	4	4	2
6	TPN 6W DD DB	DSDPTHODIW06	268	323	345	6	6	2
8	TPN 8W DD DB	DSDPTHODIW08	340	395	430	6	6	2
12	TPN 12W DD DB	DSDPTHODIW12	479	534	569	8	8	2

## SPN POWERSHELL DOUBLE DOOR DISTRIBUTION BOARDS - IP 43

### RANGE

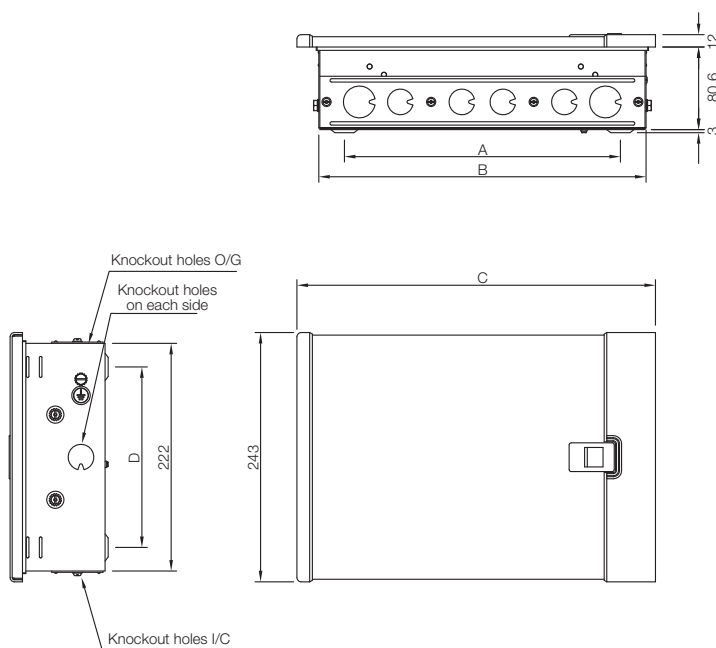
Powershell SPN DD - 4, 6, 8, 12 & 16W

### SPECIFICATION

IS: 13032 & IEC 61439 - 3

### FEATURES

- Aesthetically Pleasing Design
- Elegent color combination
- Corners of the top cover have been beautifully covered with new unique design of side channels
- Transparent cement guard to protect the DB from construction spill over
- Better ingress of protection IP 43



### Dimensions (in mm)

Ways	Powershell Description	Cat No.	Dimensions				Knockout holes				
			A	B	C	D	Top		Bottom		Side (Each Side)
							(Ø25)	(Ø31)	(Ø25)	(Ø25)	
4	SPN 4W DD DB	DSDNSHODIW04	125	175	207	172	3	-	3	-	1
6	SPN 6W DD DB	DSDNSHODIW06	151	211	243	166	3	-	3	-	1
8	SPN 8W DD DB	DSDNSHODIW08	187	247	279	166	2	2	2	2	1
12	SPN 12W DD DB	DSDNSHODIW12	269	319	349	176	4	2	4	2	1
16	SPN 16W DD DB	DSDNSHODIW16	341	423	412	172	4	2	4	2	1



## TPN POWERSHELL DOUBLE DOOR DISTRIBUTION BOARDS - IP 43

### RANGE

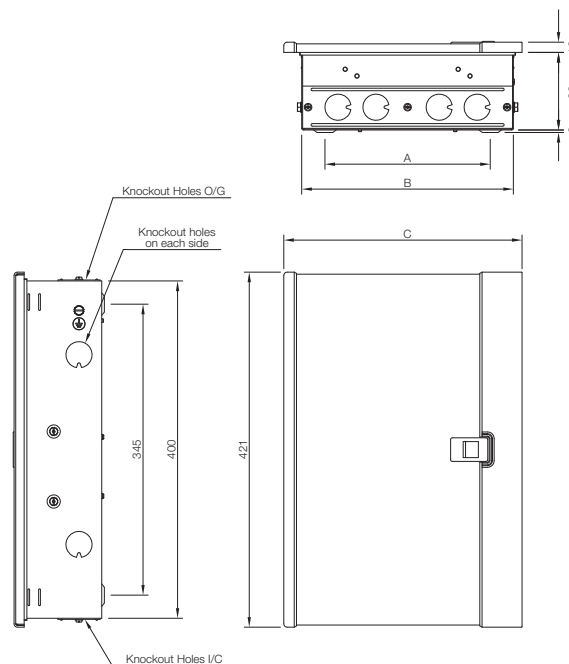
Powershell SPN DD - 4, 6, 8 & 12W

### SPECIFICATION

IS: 13032 & IEC 61439 - 3

### FEATURES

- Aesthetically Pleasing Design
- Elegant color combination
- Corners of the top cover have been beautifully covered with new unique design of side channels
- Transparent cement guard to protect the DB from construction spill over
- Better ingress of protection IP 43



### Dimensions (in mm)

Ways	Powershell Description	Cat No.	Dimensions			Knockout holes (Ø31)		
			A	B	C	Top	Bottom	Side (Each Side)
4	TPN 4W DD DB	DSDNTHODIW04	196	251	282	4	4	2
6	TPN 6W DD DB	DSDNTHODIW06	268	323	345	6	6	2
8	TPN 8W DD DB	DSDNTHODIW08	340	395	430	6	6	2
12	TPN 12W DD DB	DSDNTHODIW012	479	534	569	8	8	2

## SPN POWERSHELL 2+DOUBLE DOOR DBS - IP 42

### RANGE

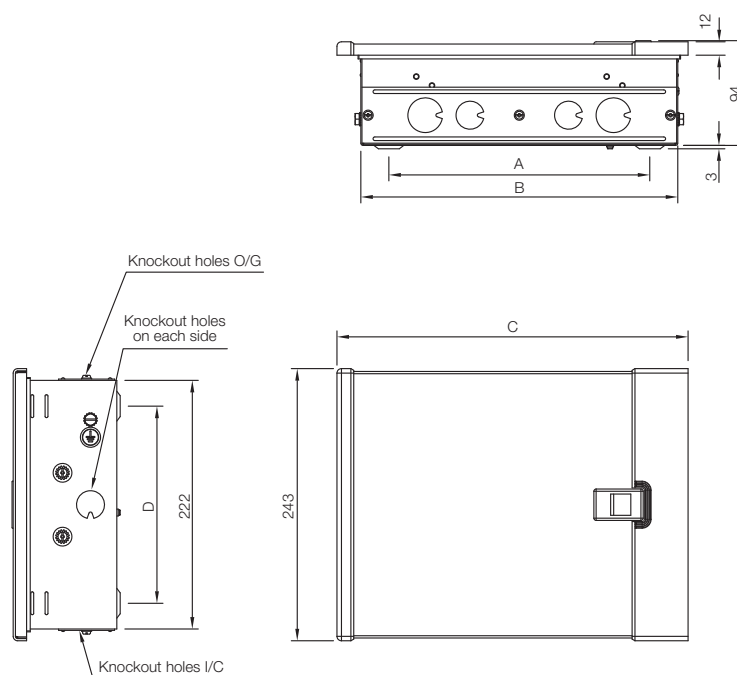
Powershell SPN DD - 4, 6, 8, 12 & 16W

### SPECIFICATION

IS: 13032 & IEC 61439 - 3

### FEATURES

- Aesthetically Pleasing Design
- Elegent color combination
- Corners of the top cover have been beautifully covered with new unique design of side channels
- Transparent cement guard to protect the DB from construction spill over
- Proper isolation between incomer & outgoing



### Dimensions (in mm)

Ways	Cat No.	Dimensions				Knockout holes				
		A	B	C	D	Top		Bottom		Side (Each Side)
						φ25	φ31	φ25	φ31	
2 + 4W	DSDCSHODOW04	151	211	243	166	3	-	3	-	1
2 + 6W	DSDCSHODOW06	187	247	279	166	2	2	2	2	1
2 + 8W	DSDCSHODOW08	233	283	315	176	2	2	2	2	1
2 + 10W	DSDCSHODOW10	269	319	351	176	4	2	4	2	1
2 + 12W	DSDCSHODOW12	305	355	387	172	4	2	4	2	1
2 + 14W	DSDCSHODOW14	341	391	423	172	4	2	4	2	1

## SPN SINGLE DOOR DBs IP 40

### RANGE

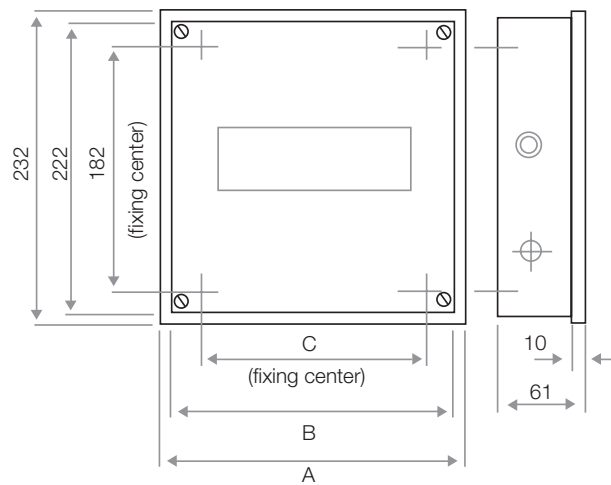
SPN DD - 4, 6, 8, 12 & 16W

### SPECIFICATION

IS: 13032 & IEC 61439 - 3

### FEATURES

- Compact design, requires minimum space
- Suitable for flush & surface mounting
- Supplied with fully shielded busbar
- Level marks for providing indication for fitment in wall



### Knockout Holes - Dimensions (in mm)

Ways	Cat No.	Dimensions			Top		Bottom		Each Side
		A	B	C					
4	DSDMSNHOSI04	139	68	149	3 No. Ø25	- No. Ø31	3 No. Ø25	- No. Ø31	1 No. Ø25
6	DSDMSNHOSI06	175	104	185	2 No. Ø25	1 No. Ø31	2 No. Ø25	1 No. Ø31	1 No. Ø25
8	DSDMSNHOSI08	211	140	221	2 No. Ø25	2 No. Ø31	2 No. Ø25	2 No. Ø31	1 No. Ø25
12	DSDMSNHOSI12	283	212	293	2 No. Ø25	2 No. Ø31	2 No. Ø25	2 No. Ø31	1 No. Ø25
16	DSDMSNHOSI16	355	284	365	4 No. Ø25	2 No. Ø31	4 No. Ø25	2 No. Ø31	1 No. Ø25



## TPN SINGLE DOOR DBs IP 40 PROTECTION

### Range

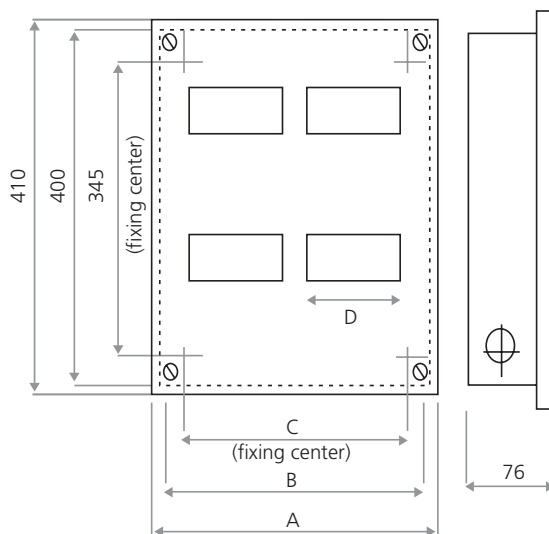
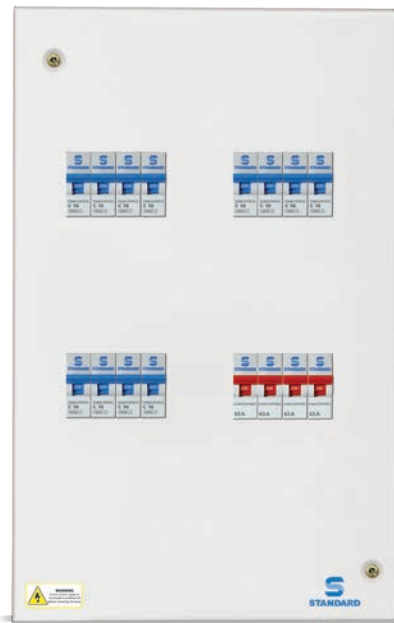
SPN DD - 4, 6, 8, 12 & 16W

### SPECIFICATION

IS: 13032 & IEC 61439 - 3

### FEATURES

- Compact design, requires minimum space
- Raised neutral link for easy wiring
- Suitable for flush & surface mounting
- Supplied with fully shielded busbar
- Level marks for providing indication for fitment in wall



### Dimensions (in mm)

Ways	Cat No.	Dimensions				Sheet Thickness	Knockout holes (Ø31)		
		A	B	C	D		Top	Bottom	Side (Each Side)
4	DSDMTNHCSI04	251	192	261	72	1.0	4	4	2
6	DSDMTNHCSI06	323	264	333	144	1.0	6	6	2
8	DSDMTNHCSI08	395	336	405	144	1.0	6	6	2
12	DSDMTNHCSI12	539	480	549	144	1.0	8	8	2

## VERTICAL TYPE DBs - IP 42

### RANGE

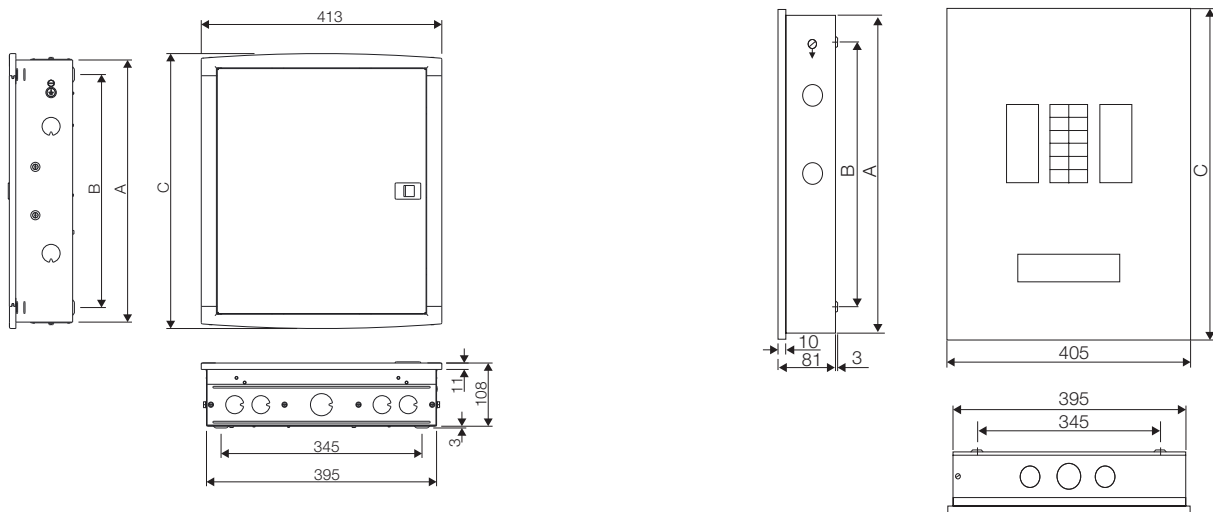
TPN Vertical DB - 4, 8, & 12W

### SPECIFICATION

IS: 13032 & IS: 8623 and IEC 61439 - 3

### FEATURES

- Suitable for flush & surface mounting
- Raised neutral link for easy wiring
- Provision for FP Isolator / RCCB as incomer & SP / TP mcb as outgoing
- Supplied with 125 A copper busbar flat type
- Supplied with neutral & earth bars
- Pan assembly for ease of installation



### Dimensions (in mm) Single Door

Ways	Cat No.	A	B	C	Top	Bottom Ø31	Bottom Ø38	Side	Sheet Thickness
4	DSDMTNVOSI04	450	400	460	5	2	1	2	1.0
8	DSDMTNVOSI08	558	508	568	5	2	1	2	1.0
12	DSDMTNVOSI12	666	616	676	5	2	1	2	1.0

Knockout Holes (Ø31 & Ø38)

### Dimensions (in mm) Double Door

Ways	Cat No.	A	B	C	Top	Bottom Ø31	Bottom Ø38	Side	Sheet Thickness
4	DSDMTNVODI04	450	400	472	5	2	1	2	1.0
8	DSDMTNVODI08	558	508	580	5	2	1	2	1.0
12	DSDMTNVODI12	666	616	688	5	2	1	2	1.0

Knockout Holes (Ø31 & Ø38)

## POWERLINE VERTICAL TYPE DBs - IP 42 PROTECTION

### RANGE

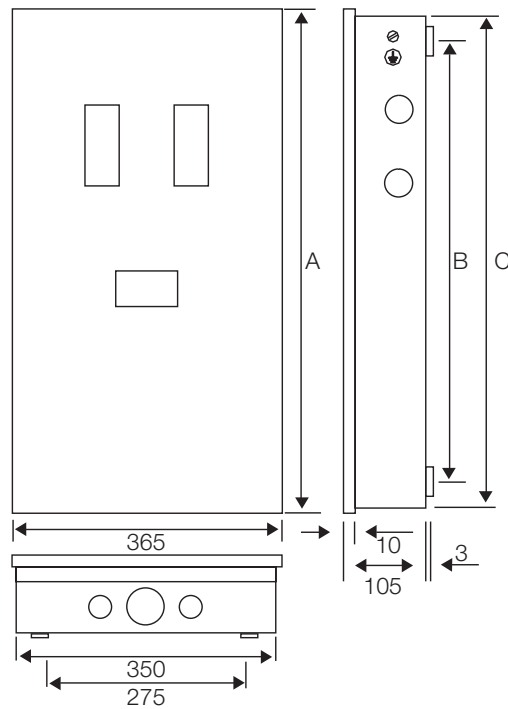
Powerline DB - (TPN SD/DD) - 4, 8 & 12W

### SPECIFICATION

IEC 61439 - 3 / IS: 13032 & IS: 8623

### FEATURES

- Suitable for Flush mounting and Surface mounting
- With 160A & 250A copper busbar
- With neutral bars & earth bars
- With provision for TP/FP 160 MCCB as incomer and SP / TP MCBs as outgoing
- IP 42



### Dimensions (in mm)

Ways	Cat No.	A	B	C	Top	Bottom Ø31	Bottom Ø38	Side	Sheet Thickness
4	DSDPVDIBEOTO04	685	596	670	7	4	1	2	1.2
8	DSDPVDIBEOTO08	793	703	778	7	4	1	2	1.2
12	DSDPVDIBEOTO12	901	811	886	7	4	1	2	1.2



## PREWIRED DISTRIBUTION BOARD - SPN DOUBLE DOOR

### RANGE

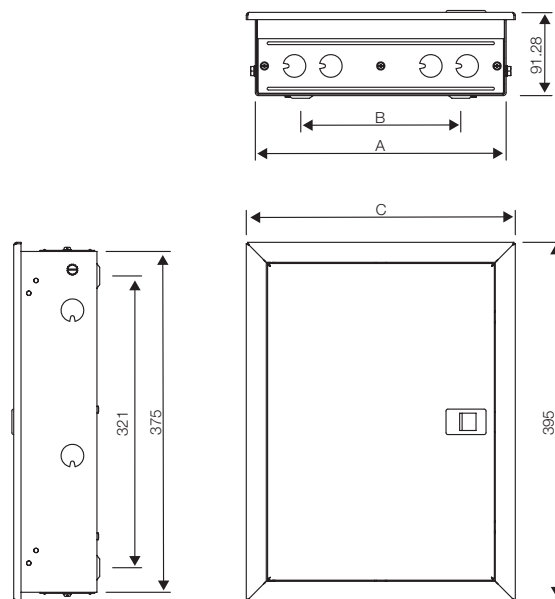
SPN DD – 6, 8, 10, 12 & 16W

### SPECIFICATION

IEC 61439 - 3 / IS: 13032 & IS: 8623

### FEATURES

- Phase/Neutral terminal block for termination of incoming and outgoing wires
- Colored flame retardant Polyamide terminal blocks and FRLS wiring for easy identification, Phases & Neutral
- A detachable cassette is provided for safe removal of MCB/RCCB from DB without loosening the internal cable connection of Phase & Neutral Circuit
- DBs are provided with integral loose wire box in SPN for accommodating extra bunch of wires
- IP 42



### Dimensions (in mm)

Ways	Cat No.	Sheet Thickness	Dimensions			Knock out holes		
			A	B	C	Top	Bottom	Side (Each Side)
6	DSDMSHMDIW06000	1.6	276	176	296	4	4	2
8	DSDMSHMDIW08000	1.6	312	212	332	4	4	2
10	DSDMSHMDIW10000	1.6	348	248	368	4	4	2
12	DSDMSHMDIW12000	1.6	384	284	404	6	6	2
16	DSDMSHMDIW16000	1.6	456	356	476	8	8	2

## PREWIRED DISTRIBUTION BOARD - TPN SINGLE DOOR

### RANGE

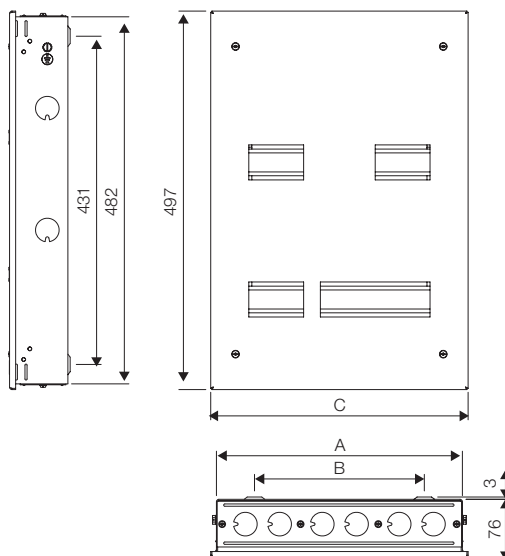
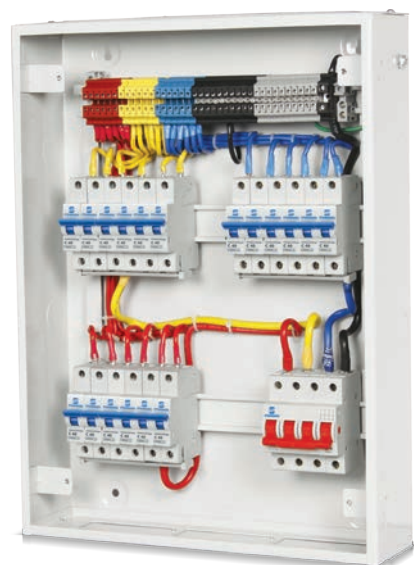
TPN SD – 4, 6, 8 & 12W

### SPECIFICATION

IEC 61439 - 3 / IS: 13032 & IS: 8623

### FEATURES

- Phase/Neutral terminal block for termination of incoming and outgoing wires
- Colored flame retardant Polyamide terminal blocks and FRLS wiring for easy identification of R, Y & B Phases & Neutral
- A detachable cassette is provided for safe removal of MCB/RCCB from DB without loosening the internal cable connection of Phase & Neutral Circuit
- IP 42



### Dimensions (in mm)

Ways	Cat No.	Sheet Thickness	Dimensions			Knock out holes		
			A	B	C	Top	Bottom	Side (Each Side)
4	DSDMTHMSIW04000	1.2	385	318	400	5	5	0
6	DSDMTHMSIW06000	1.2	423	353	437	7	7	0
8	DSDMTHMSIW08000	1.2	460	389	472	9	9	0
12	DSDMTHMSIW12000	1.2	605	534	618	13	13	0

## PREWIRED DISTRIBUTION BOARD - TPN DOUBLE DOOR

### RANGE

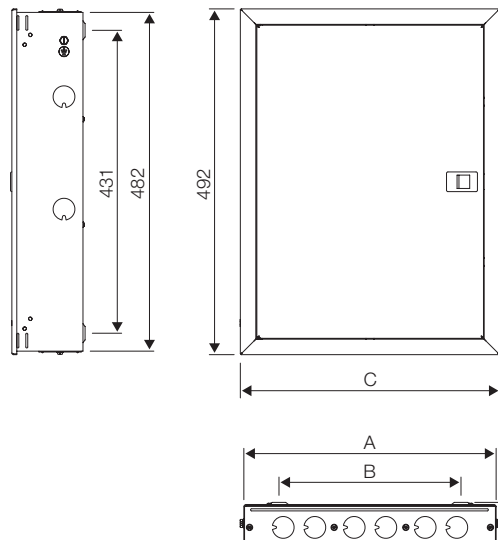
TPN DD – 4, 6, 8 & 12W

### SPECIFICATION

IEC 61439 - 3 / IS: 13032 & IS: 8623

### FEATURES

- Phase/Neutral terminal block for termination of incoming and outgoing wires
- Colored flame retardant Polyamide terminal blocks and FRLS wiring for easy identification of R, Y & B Phases & Neutral
- A detachable cassette is provided for safe removal of MCB/RCCB from DB without loosening the internal cable connection of Phase & Neutral Circuit
- DBs are provided with integral loose wire box in TPN for accommodating extra bunch of wires
- IP 42



### Dimensions (in mm)

Ways	Cat No.	Sheet Thickness	Dimensions			Knock out holes		
			A	B	C	Top	Bottom	Side (Each Side)
4	DSDMTHMDIW04000	1.2	389	315	410	5	5	0
6	DSDMTHMDIW06000	1.2	442	349	445	7	7	0
8	DSDMTHMDIW08000	1.2	460	387	482	9	9	0
12	DSDMTHMDIW12000	1.2	605	534	624	13	13	0



## CONSUMER UNIT - IP 40 PROTECTION

### RANGE

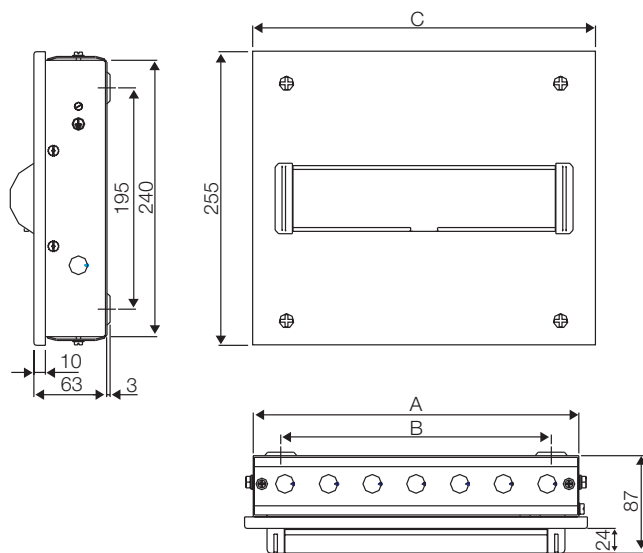
Automatic Phase Selector Unit

### SPECIFICATION

IEC 61439 - 3 / IS: 13032 & IS: 8623

### FEATURES

- Can be easily connected with your existing DB
- Automatic Phase selection
- Phase loss Protection
- Under voltage & overvoltage protection
- Manual phase priority selection
- Operational status indication through LEDs
- It comes with TPN MCB of 63A
- IP 42



### Dimensions (in mm)

Ways	Cat No.	Dimensions		
		A	B	C
4	DSDCSNHOSI04	139	89	154
8	DSDCSNHOSI08	211	161	226
12	DSDCSNHOSI12	283	233	298

## PER PHASE ISOLATION (PPI) HORIZONTAL DBs - IP 42 PROTECTION

### RANGE

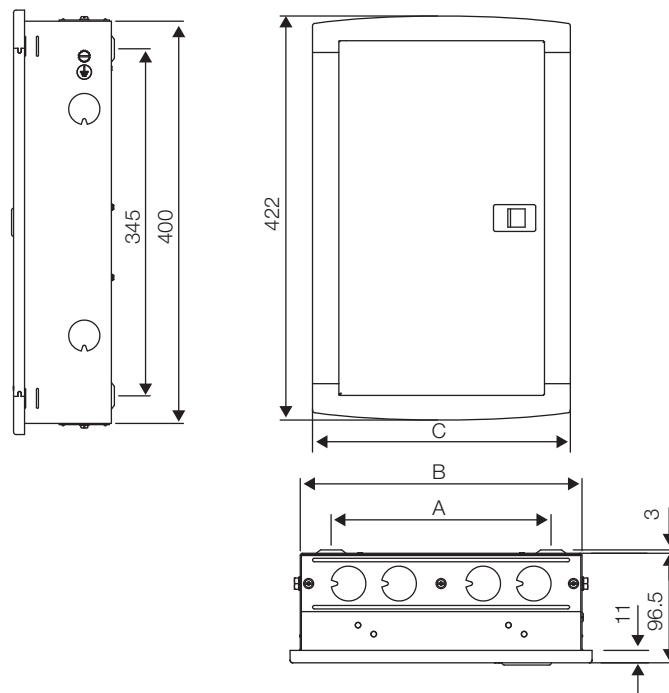
TPN – 4, 6 & 8W

### SPECIFICATION

IEC 61439 - 3 / IS: 13032 & IS: 8623

### FEATURES

- DBs with phase segregation and separation between incomer and outgoing
- Suitable for Flush mounting and Surface mounting
- With 100A copper busbar for each phase
- With neutral bar, earth bar and cable ties for cable management
- Fully insulated busbar
- With per phase neutral & earth bar
- Supplied with wire set
- IP 42



### Dimensions (in mm)

Ways	Cat No.	Capacity of 17.8 mm Module Incomer + Outgoing	A	B	C	Top	Bottom	Side	Sheet Thickness
2+4	DSDPTHDPDRW04	4 + (6+12)	323	268	341	6	6	2	1
2+6	DSDPTHDPDRW06	4 + (6+18)	395	340	413	8	8	2	1
2+8	DSDPTHDPDRW08	4 + (6+24)	534	479	552	11	11	2	1

Knockout Holes (Ø31)

## PER PHASE ISOLATION (PPI) VERTICAL DBs - IP 42 PROTECTION

### RANGE

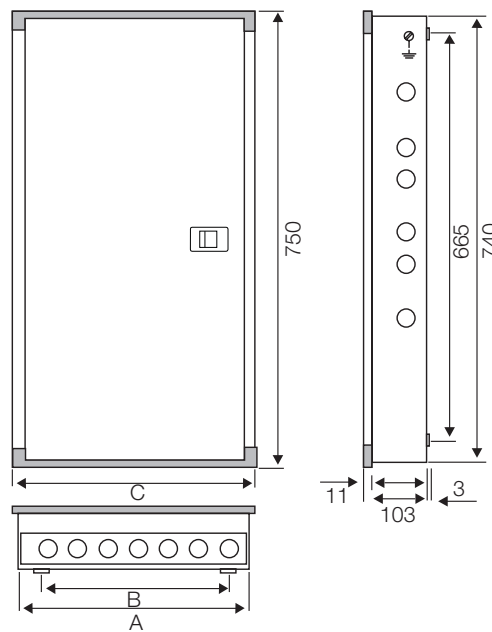
PPI Vertical DB - 4 Tier - 2+8 & 2+12W

### SPECIFICATION

IEC 61439 - 3 / IS: 13032 & IS: 8623

### FEATURES

- DBs with phase segregation and separation between incomer and outgoing
- Suitable for Flush mounting and Surface mounting
- With 125A copper busbar for each phase
- With neutral bar, earth bar and cable ties for cable management
- Fully insulated busbar
- With per phase neutral & earth bar
- Supplied with wire set
- IP 42



### Dimensions (in mm)

Ways	Cat No.	Capacity of 17.8 mm Module		A	B	C	Top	Bottom	Side	Sheet Thickness
		Incomer +	Outgoing							
2 + 8	DSDPTVPDRW08	4 + (6+24)		323	248	338	7	7	6	1.2
2 + 12	DSDPTVPDRW12	4 + (6+36)		395	320	405	7	7	6	1.2

Knockout Holes (Ø31)

## PHASE SELECTOR (HORIZONTAL) DBs - 4 QUADRANT DESIGN (With Rotary Switches & Wires)

### RANGE

Phase Selector (Horizontal - 4 Quadrant) - 4, 6 & 8W

### SPECIFICATION

IEC 61439 - 3 / IS: 13032 & IS: 8623

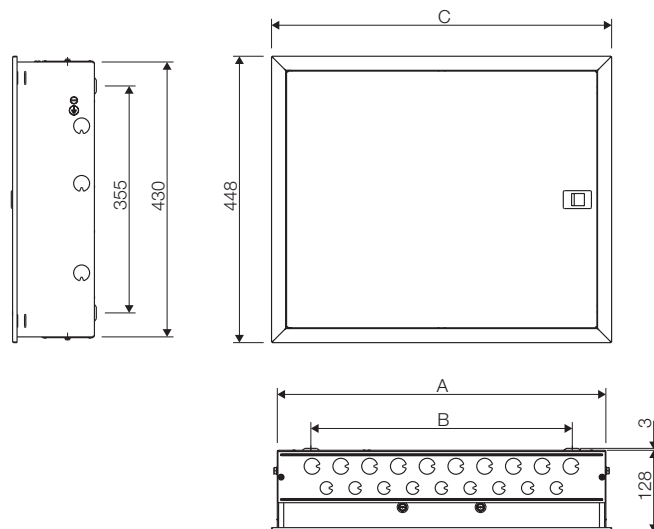
### FEATURES

- With inbuilt 3 nos. of 40A/63A phase selector switches and 3 nos piano switches
- Suitable for Flush mounting and Surface mounting
- With 100A copper busbar for each phase
- With neutral bar, earth bar and cable ties for cable management
- Fully insulated busbar
- Provision for 8W incomer, indicator light R, Y, B (FP MCB/ Isolator/ RCCB)
- Supplied with wire set
- IP 42



Ways	Rating	Cat No. (DD) Horizontal	
4	40A	DSDSCHDRZ04040	with eight way incomer slot
4	63A	DSDSCHDRZ04063	with eight way incomer slot
6	40A	DSDSCHDRZ06040	with eight way incomer slot
6	63A	DSDSCHDRZ06063	with eight way incomer slot
8	40A	DSDSCHDRZ08040	with eight way incomer slot
8	63A	DSDSCHDRZ08063	with eight way incomer slot

PHASE SELECTOR DBS (Without Rotary Switches & Wires)



### Dimensions (in mm)

Ways	Regal Grey Cat No. (DD)	A	B	C	D	E	Sheet Thickness
4	DSDSCHDRZ04000	478	373	496	430	355	1
6	DSDSCHDRZ06000	514	409	532	430	355	1
8	DSDSCHDRZ08000	550	445	568	430	355	1

Knockout Holes (Ø31)

## PHASE SELECTOR (VERTICAL) DBs DOUBLE DOOR

### RANGE

Phase Selector (Vertical) – 4, 6 & 8W

### SPECIFICATION

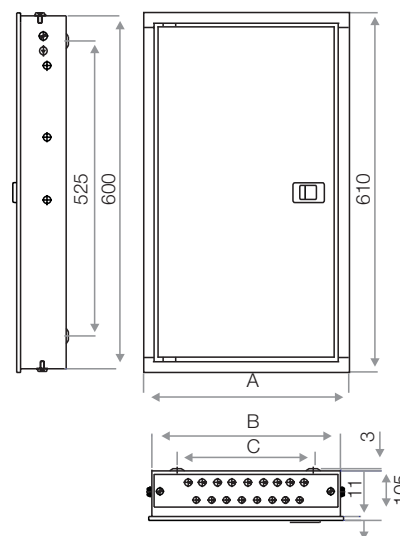
IEC 61439 - 3 / IS: 13032 & IS: 8623

### FEATURES

- With inbuilt 3 nos. of 63A phase selector switches and 3 nos. piano switches
- Suitable for Flush mounting and Surface mounting
- With 100A copper busbar for each phase
- With neutral bar, earth bar and cable ties for cable management
- Fully insulated busbar and neutral bar
- Provision for 8W incomer, indicator light R, Y, B (FP MCB/ Isolator/ RCCB)
- Supplied with wire set



Ways	Rating	Cat No. (DD) Horizontal
4	40A	DSDSNVDRZ04040
4	63 A	DSDSNVDRZ04063
6	40 A	DSDSNVDRZ06040
6	63 A	DSDSNVDRZ06063
8	40 A	DSDSNVDRZ08040
8	63 A	DSDSNVDRZ08063



### Dimensions (in mm)

Ways	Capacity of 17.8 mm module Incoming+Outgoing	Rating	A	B	C	Knockout Holes				
						Top		Bottom		Each Side
						Ø25	Ø20	Ø25	Ø20	
4	8+12	40A	333	323	248	9	8	9	8	3
4	8+12	63A	333	323	248	9	8	9	8	3
6	8+18	40A	405	395	320	9	8	9	8	3
6	8+18	63A	405	395	320	9	8	9	8	3
8	8+24	40A	405	395	320	9	8	9	8	3
8	8+24	63A	405	395	320	9	8	9	8	3



## PHASE SELECTOR ENCLOSURE (VERTICAL)

Phase Selector Enclosure (Vertical) (with rotary switches, duly wired)

### RANGE

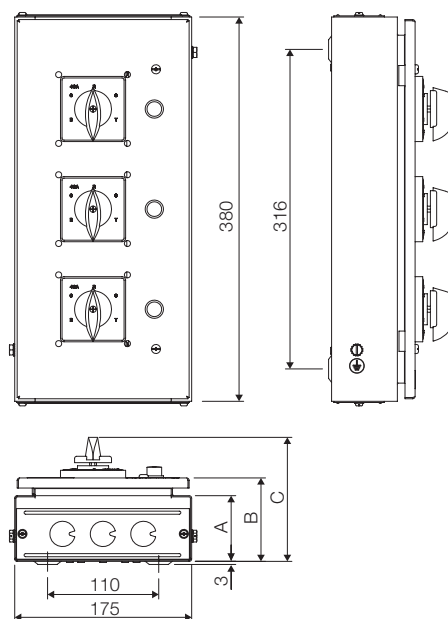
40A to 63A

### SPECIFICATION

IEC 61439 - 3 / IS: 13032 & 8623

### FEATURES

- Compact DBs which occupy minimum space
- Phase selector DBs provide flexibility in selecting and interchanging the phases in case there is power outage in one particular phase
- Suitable for surface & flush mounting
- Cost effective solution
- Supplied with rotary switches, duly wired
- Suitable for use on 240/415V, 50Hz supply
- IP 40



### Dimensions (in mm)

Rating	Cat. No.	A	B	C	Top	Bottom	Sheet Thickness
40A	DSDATVFS40	65	83	123	7	7	1.2
63A	DSDATVFS63	91	109	144	7	7	1.2

Knockout Holes (Ø31)

## 7 SEGMENT DBs - IP 42 PROTECTION

### RANGE

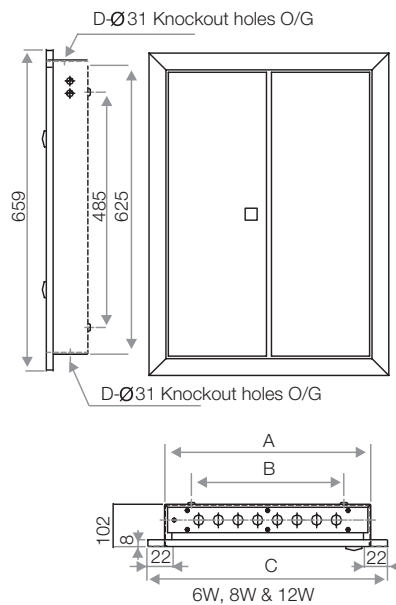
7 Segment DB - (TPN DD) - 4, 6, 8 & 12W

### SPECIFICATION

IEC 61439 - 3 / IS: 13032 & IS: 8623

### FEATURES

- DBs with phase segregation and separation between incomer and outgoing
- Suitable for Flush mounting and Surface mounting
- With 100A copper busbar for each phase
- With neutral bar, earth bar
- Fully insulated busbar
- Main Incomer FP Isolator & FP Changeover, DP RCCB as sub-incomer and SP MCBs as outgoing
- Supplied with wire set
- IP 42



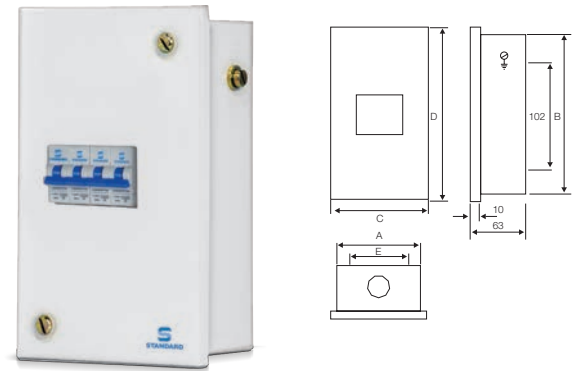
### Dimensions (in mm)

Ways	Cat No.	Sheet Thickness	Dimensions			Knock out holes (Ø31)	
			A	B	C	Top	Bottom
4	DSDMTHDDR04	1.2	440	380	474	7	7
6	DSDMTHDDR06	1.2	548	488	582	8	8
8	DSDMTHDDR08	1.2	656	596	690	10	10
12	DSDMTHDDR12	1.2	872	812	906	13	13

## MCB SHEET STEEL ENCLOSURES

### FEATURES

- Enclosure for independent cut of / connection of electrical appliances



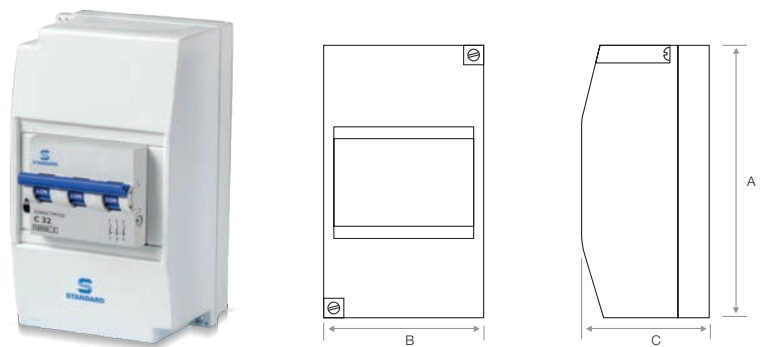
### Dimensions (in mm)

Ways (amp.)	Cat No.	Dimensions					Knock out holes (Ø25)		Sheet Thickness	
		Ways	A	B	C	D	E	Top		Bottom
1	DSDESSP	2	60	160	70	170	30	1	1	1
2	DSDESDP	4	98	180	108	190	62	2	2	1
3	DSDESTP									
4	DSDESPF									

## MCB PLASTIC ENCLOSURES

### FEATURES

- Enclosure for independent cut of / connection of electrical appliances



### Dimensions (in mm)

Ways	Cat No.	Ways	Dimensions		
			A	B	C
1/2	DSDEPDP	2	140	45	65
3/4	DSDEPPF	4	140	81	65

## MCB PROTECTED SOCKET (MODULAR AC BOX)



MCB protected socket is a new concept to provide safety for appliances which are plugged in to power sockets in residences as well as commercial premises. It provides inbuilt protection over current & short circuit with the help of MCB. It is designed for quick and easy installation and is new style statement for safety.

### RANGE

25A

### RATED VOLTAGE UN

25A

### RATED FREQUENCY

50 Hz

### TERMINAL CAPACITY

6 mm<sup>2</sup>

### FEATURES

- Aesthetic appeal
- Ideal for local sectioning - Selectivity
- High quality contacts ensures reliability
- Built in MCBs protection, short circuit breaking capacity (3kA)
- Suitable for protection of home appliances like ACs, LCD, Geyser, Microwave etc.

### MCB PROTECTED SOCKET (MODULAR AC BOX) 3 MODULE

Rating	Description	Cat No.
25A	Sheet Metal	DSDMCSN0251025
25A	Plastic	DSDTCSN0251025

### MCB PROTECTED SOCKET (MODULAR AC BOX) 4 MODULE

Rating	Description	Cat No.
25A	Sheet Metal	DSDMCDP0251025
25A	Plastic	DSDTCDP0251025

## POWER SHIELD (MINI MCB WITH ENCLOSURE)



### RANGE

32A

### RATED VOLTAGE UN

240V ac Rated Frequency : 50 Hz

### TERMINAL CAPACITY

6 mm<sup>2</sup>

### FEATURES

- Appealing & contemporary aesthetics
- compact & space saving design
- Overload & short circuit protection
- Proven MCB mechanism for longer life
- Easy to operate & replace
- Completely insulated design
- Indication of supply
- In plastic enclosure with mini MCB

### MINI MCB WITH ENCLOSURE

Rating	Cat No.
32A	DSMPCDPA032