



LED Spot High Performer

Features

- Flexible for adjustment, 355° horizontal rotation, 30° tiltable
- Multiple optics options: straight down and adjustable projection options, three secondary reflectors options (bead surface, matt, mirror "dark light"), and two cover options (circular, oval)
- Glare resistant: double lampshades to hide light source and prevent glare UGR<10
- 1-10v dimming available
- CREE LEDs inside, high quality and long lifespan
- Die-cast aluminum material for long-lasting finishing

Benefits

- High-quality optical technology and robust design make it an indispensable lighting tool for sophisticated lighting tasks
- Excellent visual comfort and aesthetic design preferred by lighting designers, the best choice for high-end projects
- Up to 85% energy saving compared with halogen spotlight

Application



Hotel



Retail



Shopping Mall

Specification

Item Code	Item Description	Power (W)	Power Factor	Lumen (lm)	Efficacy (lm/W)	Input Current (A)	CRI	UGR	CCT (K)	Lifetime (L70B50)	MOQ (pcs)
/	LEDSpotRA-HP 16W-Dim-3000-10D-AL-GP	16	0.9	900	75	0.07	≥80	10	3000	20Khrs	600
/	LEDSpotRF-HP 16W-Dim-3000-10D-AL-GP	16	0.9	900	75	0.07	≥80	10	3000	20Khrs	600
/	LEDSpotRA-HP 16W-Dim-3000-20D-AL-GP	16	0.9	900	75	0.07	≥80	10	3000	20Khrs	600
/	LEDSpotRF-HP 16W-Dim-3000-20D-AL-GP	16	0.9	900	75	0.07	≥80	10	3000	20Khrs	600
/	LEDSpotRA-HP 16W-Dim-3000-30D-AL-GP	16	0.9	900	75	0.07	≥80	10	3000	20Khrs	600
/	LEDSpotRF-HP 16W-Dim-3000-30D-AL-GP	16	0.9	900	75	0.07	≥80	10	3000	20Khrs	600
/	LEDSpotRA-HP 20W-Dim-3000-10D-AL-GP	20	0.9	1100	75	0.10	≥80	10	3000	20Khrs	600
/	LEDSpotRF-HP 20W-Dim-3000-10D-AL-GP	20	0.9	1100	75	0.10	≥80	10	3000	20Khrs	600
/	LEDSpotRA-HP 20W-Dim-3000-20D-AL-GP	20	0.9	1100	75	0.10	≥80	10	3000	20Khrs	600
/	LEDSpotRF-HP 20W-Dim-3000-20D-AL-GP	20	0.9	1100	75	0.10	≥80	10	3000	20Khrs	600
/	LEDSpotRA-HP 20W-Dim-3000-30D-AL-GP	20	0.9	1100	75	0.10	≥80	10	3000	20Khrs	600
/	LEDSpotRF-HP 20W-Dim-3000-30D-AL-GP	20	0.9	1100	75	0.10	≥80	10	3000	20Khrs	600
/	LEDSpotRA-HP 8W-Dim-3000-10D-AL-GP	8	0.9	350	75	0.04	≥80	10	3000	20Khrs	600
/	LEDSpotRF-HP 8W-Dim-3000-10D-AL-GP	8	0.9	350	75	0.04	≥80	10	3000	20Khrs	600
/	LEDSpotRA-HP 8W-Dim-3000-20D-AL-GP	8	0.9	350	75	0.04	≥80	10	3000	20Khrs	600
/	LEDSpotRF-HP 8W-Dim-3000-20D-AL-GP	8	0.9	350	75	0.04	≥80	10	3000	20Khrs	600
/	LEDSpotRA-HP 8W-Dim-3000-30D-AL-GP	8	0.9	350	75	0.04	≥80	10	3000	20Khrs	600
/	LEDSpotRF-HP 8W-Dim-3000-30D-AL-GP	8	0.9	350	75	0.04	≥80	10	3000	20Khrs	600
/	LEDSpotRA-HP 12W-Dim-3000-10D-AL-GP	12	0.9	500	75	0.06	≥80	10	3000	20Khrs	600
/	LEDSpotRF-HP 12W-Dim-3000-10D-AL-GP	12	0.9	500	75	0.06	≥80	10	3000	20Khrs	600
/	LEDSpotRA-HP 12W-Dim-3000-20D-AL-GP	12	0.9	500	75	0.06	≥80	10	3000	20Khrs	600
/	LEDSpotRF-HP 12W-Dim-3000-20D-AL-GP	12	0.9	500	75	0.06	≥80	10	3000	20Khrs	600
/	LEDSpotRA-HP 12W-Dim-3000-30D-AL-GP	12	0.9	500	75	0.06	≥80	10	3000	20Khrs	600
/	LEDSpotRF-HP 12W-Dim-3000-30D-AL-GP	12	0.9	500	75	0.06	≥80	10	3000	20Khrs	600
/	LEDSpotRA-HP 30W-Dim-3000-10D-AL-GP	30	0.9	1750	75	0.15	≥80	10	3000	20Khrs	320
/	LEDSpotRF-HP 30W-Dim-3000-10D-AL-GP	30	0.9	1750	75	0.15	≥80	10	3000	20Khrs	320

Item Code	Item Description	Power (W)	Power Factor	Lumen (lm)	Efficacy (lm/W)	Input Current (A)	CRI	UGR	CCT (K)	Lifetime (L70B50)	MOQ (pcs)
/	LEDspotRA-HP 30W-Dim-3000-20D-AL-GP	30	0.9	1750	75	0.15	≥80	10	3000	20Khrs	320
/	LEDspotRF-HP 30W-Dim-3000-20D-AL-GP	30	0.9	1750	75	0.15	≥80	10	3000	20Khrs	320
/	LEDspotRA-HP 30W-Dim-3000-30D-AL-GP	30	0.9	1750	75	0.15	≥80	10	3000	20Khrs	320
/	LEDspotRF-HP 30W-Dim-3000-30D-AL-GP	30	0.9	1750	75	0.15	≥80	10	3000	20Khrs	320
/	LEDspotRA-HP 45W-Dim-3000-15D-AL-GP	45	0.9	3400	75	0.23	≥80	10	3000	20Khrs	320
/	LEDspotRF-HP 45W-Dim-3000-15D-AL-GP	45	0.9	3400	75	0.23	≥80	10	3000	20Khrs	320
/	LEDspotRA-HP 45W-Dim-3000-10D-AL-GP	45	0.9	3400	75	0.23	≥80	10	3000	20Khrs	320
/	LEDspotRF-HP 45W-Dim-3000-10D-AL-GP	45	0.9	3400	75	0.23	≥80	10	3000	20Khrs	320
/	LEDspotRA-HP 45W-Dim-3000-30D-AL-GP	45	0.9	3400	75	0.23	≥80	10	3000	20Khrs	320
/	LEDspotRF-HP 45W-Dim-3000-30D-AL-GP	45	0.9	3400	75	0.23	≥80	10	3000	20Khrs	320
/	LEDspotRF-HP 20W-Dim-4000-20D-AL-GP	20	0.9	1100	75	0.10	≥80	10	4000	20Khrs	600
/	LEDspotRF-HP 30W-Dim-4000-20D-AL-GP	30	0.9	1750	75	0.15	≥80	10	4000	20Khrs	320

Packaging Information

Item		Single Box(1pc/box)		Packaging Unit		
Item Code	Item Description	Dimensions(mm) (LxWxH)	Gross Weight (kg)	Dimensions(mm) (LxWxH)	Gross Weight (kg)	Packing Qty (pcs/unit)
/	LEDspotRA-HP 16W-Dim-3000-10D-AL-GP	180x170x186	0.79	560x360x395	9.50	12
/	LEDspotRF-HP 16W-Dim-3000-10D-AL-GP	180x170x186	0.79	560x360x395	9.50	12
/	LEDspotRA-HP 16W-Dim-3000-20D-AL-GP	180x170x186	0.79	560x360x395	9.50	12
/	LEDspotRF-HP 16W-Dim-3000-20D-AL-GP	180x170x186	0.79	560x360x395	9.50	12
/	LEDspotRA-HP 16W-Dim-3000-30D-AL-GP	180x170x186	0.79	560x360x395	9.50	12
/	LEDspotRF-HP 16W-Dim-3000-30D-AL-GP	180x170x186	0.79	560x360x395	9.50	12
/	LEDspotRA-HP 20W-Dim-3000-10D-AL-GP	180x170x186	0.79	560x360x395	9.50	12
/	LEDspotRF-HP 20W-Dim-3000-10D-AL-GP	180x170x186	0.79	560x360x395	9.50	12
/	LEDspotRA-HP 20W-Dim-3000-20D-AL-GP	180x170x186	0.79	560x360x395	9.50	12
/	LEDspotRF-HP 20W-Dim-3000-20D-AL-GP	180x170x186	0.79	560x360x395	9.50	12
/	LEDspotRA-HP 20W-Dim-3000-30D-AL-GP	180x170x186	0.79	560x360x395	9.50	12
/	LEDspotRF-HP 20W-Dim-3000-30D-AL-GP	180x170x186	0.79	560x360x395	9.50	12
/	LEDspotRA-HP 8W-Dim-3000-10D-AL-GP	170x170x170	0.62	535x365x365	7.44	12
/	LEDspotRF-HP 8W-Dim-3000-10D-AL-GP	170x170x170	0.62	535x365x365	7.44	12
/	LEDspotRA-HP 8W-Dim-3000-20D-AL-GP	170x170x170	0.62	535x365x365	7.44	12
/	LEDspotRF-HP 8W-Dim-3000-20D-AL-GP	170x170x170	0.62	535x365x365	7.44	12
/	LEDspotRA-HP 8W-Dim-3000-30D-AL-GP	170x170x170	0.62	535x365x365	7.44	12
/	LEDspotRF-HP 8W-Dim-3000-30D-AL-GP	170x170x170	0.62	535x365x365	7.44	12
/	LEDspotRA-HP 12W-Dim-3000-10D-AL-GP	170x170x170	0.62	535x365x365	7.44	12
/	LEDspotRF-HP 12W-Dim-3000-10D-AL-GP	170x170x170	0.62	535x365x365	7.44	12
/	LEDspotRA-HP 12W-Dim-3000-20D-AL-GP	170x170x170	0.62	535x365x365	7.44	12
/	LEDspotRF-HP 12W-Dim-3000-20D-AL-GP	170x170x170	0.62	535x365x365	7.44	12
/	LEDspotRA-HP 12W-Dim-3000-30D-AL-GP	170x170x170	0.62	535x365x365	7.44	12
/	LEDspotRF-HP 12W-Dim-3000-30D-AL-GP	170x170x170	0.62	535x365x365	7.44	12
/	LEDspotRA-HP 30W-Dim-3000-10D-AL-GP	225x225x220	1.42	475x475x465	11.34	8
/	LEDspotRF-HP 30W-Dim-3000-10D-AL-GP	225x225x220	1.42	475x475x465	11.34	8
/	LEDspotRA-HP 30W-Dim-3000-20D-AL-GP	225x225x220	1.42	475x475x465	11.34	8
/	LEDspotRF-HP 30W-Dim-3000-20D-AL-GP	225x225x220	1.42	475x475x465	11.34	8
/	LEDspotRA-HP 30W-Dim-3000-30D-AL-GP	225x225x220	1.42	475x475x465	11.34	8
/	LEDspotRF-HP 30W-Dim-3000-30D-AL-GP	225x225x220	1.42	475x475x465	11.34	8
/	LEDspotRA-HP 45W-Dim-3000-15D-AL-GP	225x225x220	1.84	475x475x465	14.72	8
/	LEDspotRF-HP 45W-Dim-3000-15D-AL-GP	225x225x220	1.84	475x475x465	14.72	8
/	LEDspotRA-HP 45W-Dim-3000-10D-AL-GP	225x225x220	1.84	475x475x465	14.72	8
/	LEDspotRF-HP 45W-Dim-3000-10D-AL-GP	225x225x220	1.84	475x475x465	14.72	8
/	LEDspotRA-HP 45W-Dim-3000-30D-AL-GP	225x225x220	1.84	475x475x465	14.72	8
/	LEDspotRF-HP 45W-Dim-3000-30D-AL-GP	225x225x220	1.84	475x475x465	14.72	8
/	LEDspotRF-HP 20W-Dim-4000-20D-AL-GP	180x170x186	0.79	535x365x365	9.50	12
/	LEDspotRF-HP 30W-Dim-4000-20D-AL-GP	225x225x230	1.42	475x475x465	11.34	8

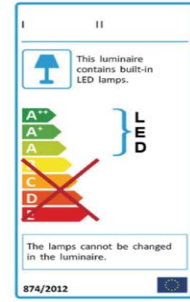
Technical Specifications	
On / Off Cycles	50,000
Colour Consistency (SDCM)	6
Dimmable	Yes
Beam Angle (°)	10/15/20/30
Finishing Colour	PC+ADC12 AL
IP	IP20
Driver Integrated (Yes/No)	NO
Glow Wire Test	650°C
Driver Failure Rate	1% at 5000h
Weight (kg/pc)	0.39/0.55/0.98/1.40

Electrical Supply	
Frequency (Hz)	50/60
Voltage (V)	220-240
AC/DC	AC

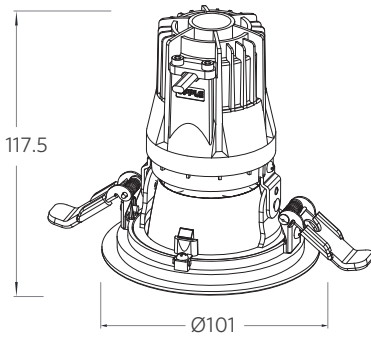
Mechanical Properties	
Housing Material	Aluminum +Steel
Optical Material	PC

Application Conditions	
Operating Temperature	-10~40°C
Application Temperature	25°C
Storage Environment	-25~50°C

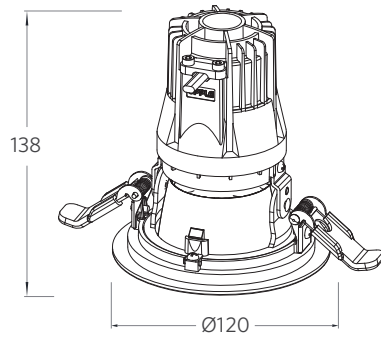
CE CB TÜV



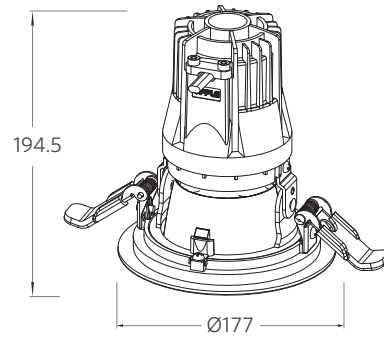
Dimensional Drawing



8W/12W

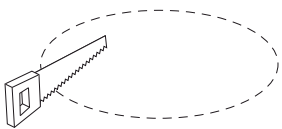


16W/20W



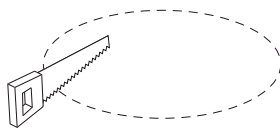
30W/45W

Cut-out Drawing



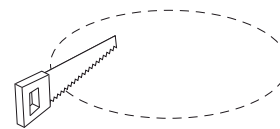
Ø91

8W/12W



Ø112

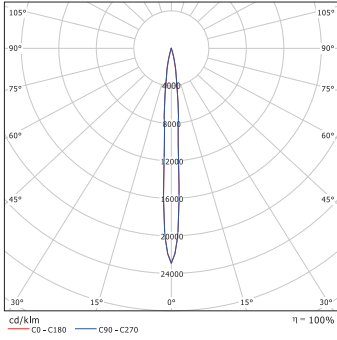
16W/20W



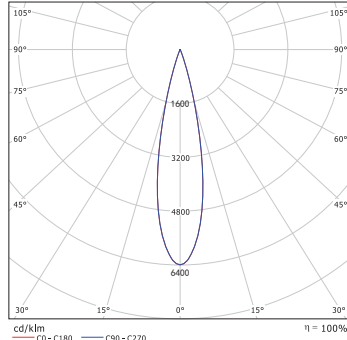
Ø160

30W/45W

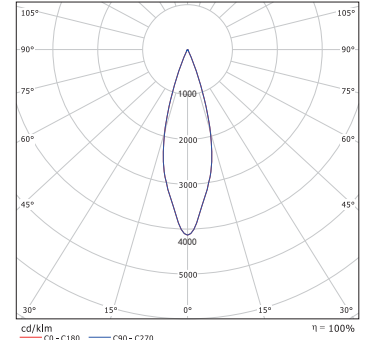
Photometric Data



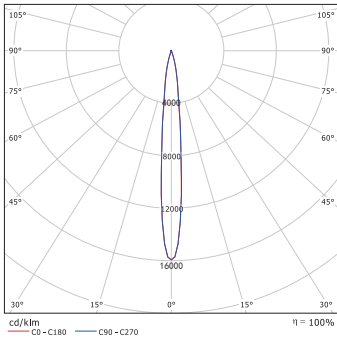
10°(8W/12W)



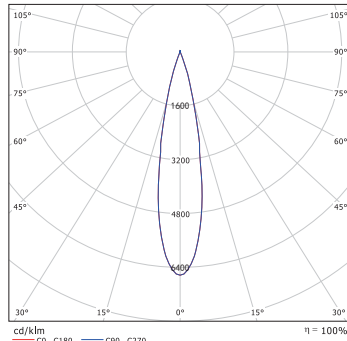
20°(8W/12W)



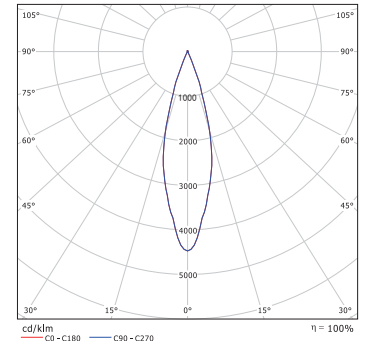
30°(8W/12W)



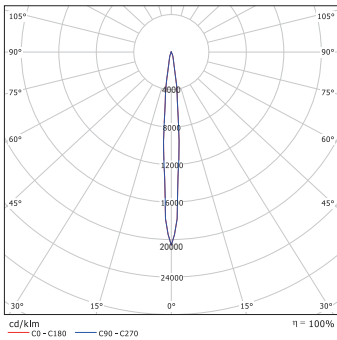
10°(16W/20W)



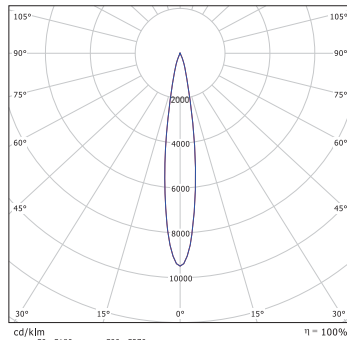
20°(16W/20W)



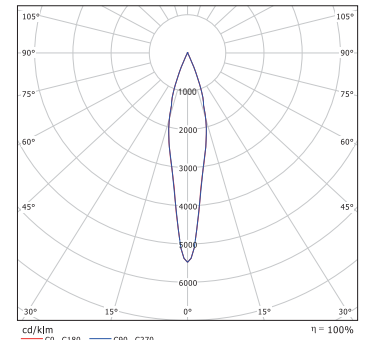
30°(16W/20W)



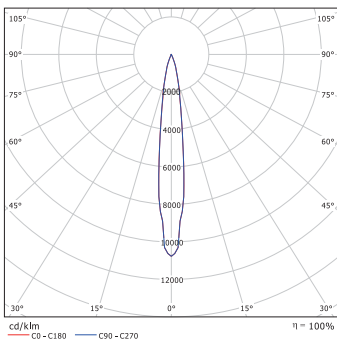
10°(30W)



20°(30W/45W)



30°(30W/45W)



15°(45W)

OPPLE Lighting India Private Limited

1124, DLF Tower-B, Jasola District Centre, New Delhi - 110025, India

Customer Care Number: 18004193888 E-mail: customercare.india@opple.com