



LED Spot VIVID

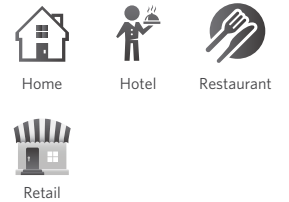
Features

- High quality light, flicker free
- The complex form of the lens system is made of optical polymer, directs the light precisely and without loss
- Full range of size and power level options
- 25° vertical angle beam orientation, tiltable

Benefits

- Uniform, clean and perfect light spot, eliminating shadows and ghost images
- Up to 85% energy saving compared with halogen spot light
- Easy for replacement and installation

Application



Specification

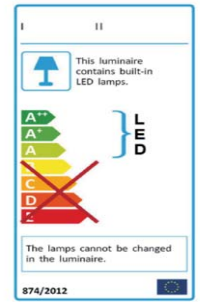
Item Code	Item Description	Power (W)	Power Factor	Lumen (lm)	Efficacy (lm/W)	Input Current (A)	CRI	CCT (K)	Lifetime (L70B50)	MOQ (pcs)
/	LEDSpotRA-E 4W-3000-24D-WH-GP	4	0.5	230	51	0.032	≥80	3000	30Khrs	500
/	LEDSpotRA-E 4W-4000-24D-WH-GP	4	0.5	250	56	0.032	≥80	4000	30Khrs	500
/	LEDSpotRA-E 4W-6500-24D-WH-GP	4	0.5	260	58	0.032	≥70	6500	30Khrs	500
/	LEDSpotRA-E 7W-3000-24D-WH-GP	7	0.7	350	52	0.035	≥80	3000	30Khrs	500
/	LEDSpotRA-E 7W-4000-24D-WH-GP	7	0.7	370	55	0.035	≥80	4000	30Khrs	500
/	LEDSpotRA-E 7W-6500-24D-WH-GP	7	0.7	400	59	0.035	≥70	6500	30Khrs	500
/	LEDSpotRA-E 9W-3000-24D-WH-GP	9	0.8	510	54	0.043	≥80	3000	30Khrs	500
/	LEDSpotRA-E 9W-4000-24D-WH-GP	9	0.8	530	56	0.043	≥80	4000	30Khrs	500
/	LEDSpotRA-E 9W-6500-24D-WH-GP	9	0.8	550	58	0.043	≥70	6500	30Khrs	500
/	LEDSpotRA-E 12W-3000-24D-WH-GP	12	0.9	670	54	0.058	≥80	3000	30Khrs	500
/	LEDSpotRA-E 12W-4000-24D-WH-GP	12	0.9	700	56	0.058	≥80	4000	30Khrs	500
/	LEDSpotRA-E 12W-6500-24D-WH-GP	12	0.9	730	58	0.058	≥70	6500	30Khrs	500
/	LEDSpotRA-E 15W-3000-24D-WH-GP	15	0.9	950	55	0.082	≥80	3000	30Khrs	500
/	LEDSpotRA-E 15W-4000-24D-WH-GP	15	0.9	980	58	0.082	≥80	4000	30Khrs	500
/	LEDSpotRA-E 15W-6500-24D-WH-GP	15	0.9	1020	62	0.082	≥70	6500	30Khrs	500

Technical Specifications	
On / Off Cycles	50,000
Colour Consistency (SDCM)	6
Dimmable	No
Beam Angle (°)	24
Finishing Colour	Black and White
IP	20
Driver Integrated (Yes/No)	No
Glow Wire Test	650°C
Driver Failure Rate	1% at 5000h
Weight (kg/pc)	0.16/0.27/0.51

Electrical Supply	
Frequency (Hz)	50 / 60
Voltage (V)	220-240
AC/DC	AC

Mechanical Properties	
Housing Material	Aluminum+PMMA+PC+ABS
Optical Material	PMMA+PC+ABS

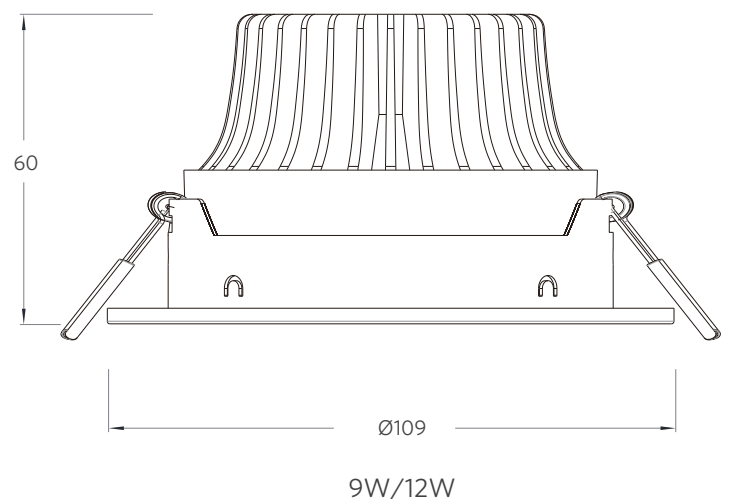
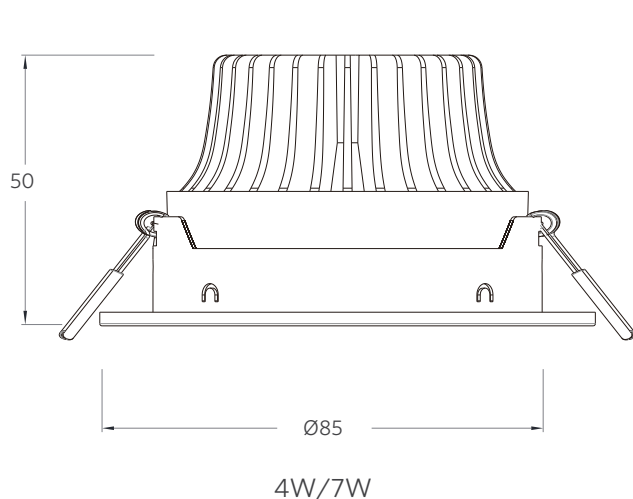
Application Conditions	
Operating Temperature	-10-40°C
Application Temperature	25°C
Storage Environment	-25-50°C

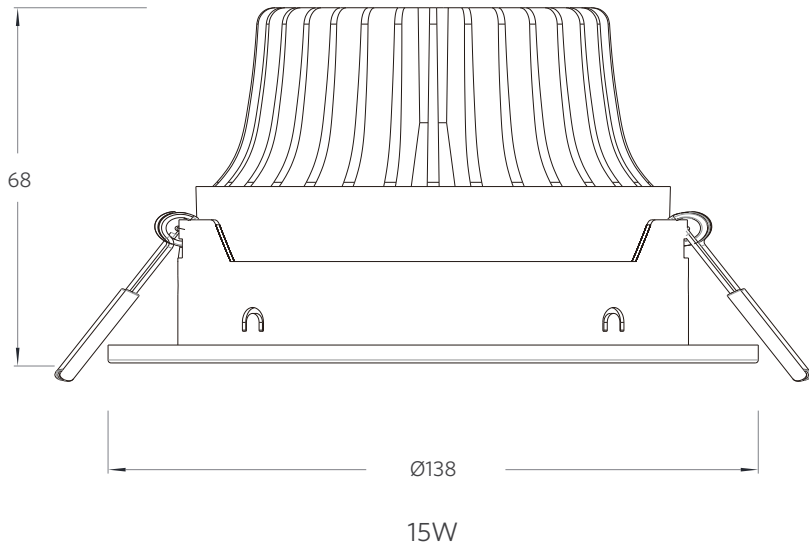


Packaging Information

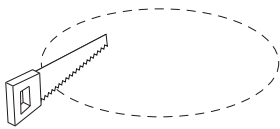
Item Code	Item Description	Single Box(1pc/box)		Packaging Unit		
		Dimensions(mm) (LxWxH)	Gross Weight (kg)	Dimensions(mm) (LxWxH)	Gross Weight (kg)	Packing Qty (pcs/unit)
/	LEDSpotRA-E 4W-3000-24D-WH-GP	115x115x75	0.18	590x245x170	3.50	20
/	LEDSpotRA-E 4W-4000-24D-WH-GP	115x115x75	0.18	590x245x170	3.50	20
/	LEDSpotRA-E 4W-6500-24D-WH-GP	115x115x75	0.18	590x245x170	3.50	20
/	LEDSpotRA-E 7W-3000-24D-WH-GP	115x115x75	0.18	590x245x170	3.50	20
/	LEDSpotRA-E 7W-4000-24D-WH-GP	115x115x75	0.18	590x245x170	3.50	20
/	LEDSpotRA-E 7W-6500-24D-WH-GP	115x115x75	0.18	590x245x170	3.50	20
/	LEDSpotRA-E 9W-3000-24D-WH-GP	140x140x85	0.31	435x435x190	5.49	18
/	LEDSpotRA-E 9W-4000-24D-WH-GP	140x140x85	0.31	435x435x190	5.49	18
/	LEDSpotRA-E 9W-6500-24D-WH-GP	140x140x85	0.31	435x435x190	5.49	18
/	LEDSpotRA-E 12W-3000-24D-WH-GP	140x140x85	0.31	435x435x190	5.49	18
/	LEDSpotRA-E 12W-4000-24D-WH-GP	140x140x85	0.31	435x435x190	5.49	18
/	LEDSpotRA-E 12W-6500-24D-WH-GP	140x140x85	0.31	435x435x190	5.49	18
/	LEDSpotRA-E 15W-3000-24D-WH-GP	170x170x95	0.55	530x355x210	6.61	12
/	LEDSpotRA-E 15W-4000-24D-WH-GP	170x170x95	0.55	530x355x210	6.61	12
/	LEDSpotRA-E 15W-6500-24D-WH-GP	170x170x95	0.55	530x355x210	6.61	12

Dimensional Drawing

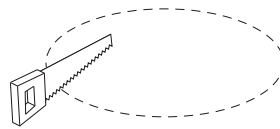




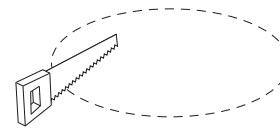
Cut-out Drawing



Ø76
4W/7W

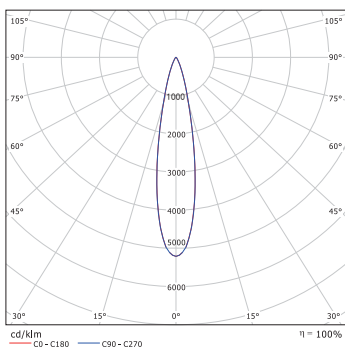


Ø95
9W/12W

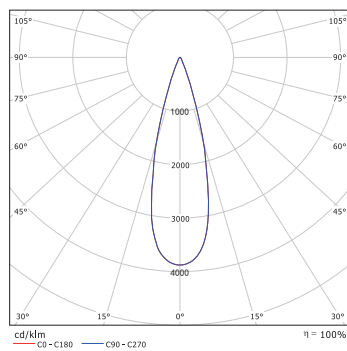


Ø120
15W

Photometric Data



24°(4W/7W)



24°(9W/12W/15W)