



LED Spot EcoMax

Features

- Low cost design with reliable quality & performance
- Opple patented "a-y" reflector with unique structure design manufactured by advanced military injection-molding and Nano-scale coating technology
- UGR < 13, maximum glare control
- Isolated driver built in with reliable performance, integrated structure, easy installation

Benefits

- An excellent price to performance ratio, quick halogen replacement solution with instant payback time
- Quality optics part to reduce direct glare to a minimum
- Easy for replacement and installation

Application



Home



Hotel



Restaurant



Retail

Specification

Item Code	Item Description	Power (W)	Power Factor	Lumen (lm)	Efficacy (lm/W)	Input Current (A)	CRI	UGR	CCT (K)	Lifetime (L70B50)	MOQ (pcs)
/	LEDSpotRF-E 3W-3000-30D-WH-GP-01	3	0.52	150	50	0.022	≥80	13	3000	20Khrs	600
/	LEDSpotRF-E 3W-4000-30D-WH-GP-01	3	0.52	150	50	0.022	≥80	13	4000	20Khrs	600
140045678	LEDSpotRF-E 3W-5700-30D-WH-GP-01	3	0.52	150	50	0.022	≥80	13	5700	20Khrs	600
/	LEDSpotRF-E 3W-3000-30D-WH-GP-02	3	0.52	150	50	0.022	≥80	13	3000	20Khrs	600
/	LEDSpotRF-E 3W-4000-30D-WH-GP-02	3	0.52	150	50	0.022	≥80	13	4000	20Khrs	600
/	LEDSpotRF-E 3W-5700-30D-WH-GP-02	3	0.52	150	50	0.022	≥80	13	5700	20Khrs	600
/	LEDSpotRF-E 3W-3000-30D-SL-GP-01	3	0.52	150	50	0.022	≥80	13	3000	20Khrs	600
/	LEDSpotRF-E 3W-4000-30D-SL-GP-01	3	0.52	150	50	0.022	≥80	13	4000	20Khrs	600
/	LEDSpotRF-E 3W-5700-30D-SL-GP-01	3	0.52	150	50	0.022	≥80	13	5700	20Khrs	600
/	LEDSpotRF-E 3W-3000-30D-SL-GP-02	3	0.52	150	50	0.022	≥80	13	3000	20Khrs	600
/	LEDSpotRF-E 3W-4000-30D-SL-GP-02	3	0.52	150	50	0.022	≥80	13	4000	20Khrs	600
/	LEDSpotRF-E 3W-5700-30D-SL-GP-02	3	0.52	150	50	0.022	≥80	13	5700	20Khrs	600
/	LEDSpotRF-E 3W-3000-30D-GY-GP-01	3	0.52	150	50	0.022	≥80	13	3000	20Khrs	600
/	LEDSpotRF-E 3W-4000-30D-GY-GP-01	3	0.52	150	50	0.022	≥80	13	4000	20Khrs	600
/	LEDSpotRF-E 3W-5700-30D-GY-GP-01	3	0.52	150	50	0.022	≥80	13	5700	20Khrs	600
/	LEDSpotRF-E 3W-3000-30D-GY-GP-02	3	0.52	150	50	0.022	≥80	13	3000	20Khrs	600
/	LEDSpotRF-E 3W-4000-30D-GY-GP-02	3	0.52	150	50	0.022	≥80	13	4000	20Khrs	600
/	LEDSpotRF-E 3W-5700-30D-GY-GP-02	3	0.52	150	50	0.022	≥80	13	5700	20Khrs	600

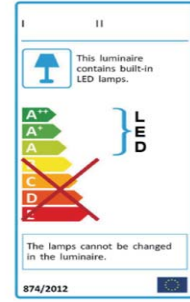
Technical Specifications	
On / Off Cycles	50,000
Colour Consistency (SDCM)	6
Dimmable	No
Beam Angle (°)	30
Finishing Colour	White/Silver/Nickel
IP	20
Driver Integrated (Yes/No)	Yes
Glow Wire Test	650°C
Driver Failure Rate	1% at 5000h
Weight (kg/pc)	0.06/0.09

Electrical Supply	
Frequency (Hz)	50 / 60
Voltage (V)	220-240
AC/DC	AC

Mechanical Properties	
Housing Material	ABS+PC
Optical Material	PC

Application Conditions	
Operating Temperature	-10-40°C
Application Temperature	25°C
Storage Environment	-25-50°C

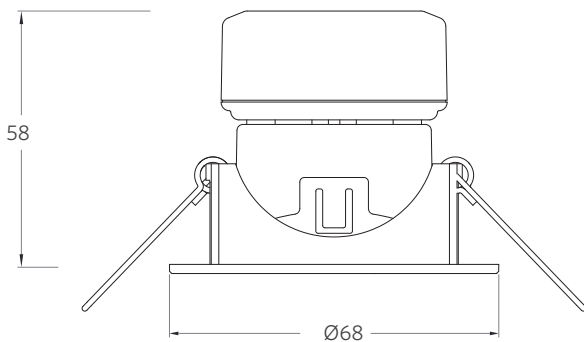
CE CB



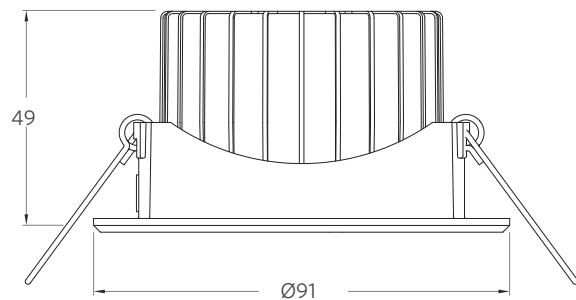
Packaging Information

Item		Single Box(1pc/box)		Packaging Unit(60pcs/unit)	
Item Code	Item Description	Dimensions(mm) (LxWxH)	Gross Weight (kg)	Dimensions(mm) (LxWxH)	Gross Weight (kg)
/	LEDspotRF-E 3W-3000-30D-WH-GP-01	125x125x70	0.18	520x392x380	10.80
/	LEDspotRF-E 3W-4000-30D-WH-GP-01	125x125x70	0.18	520x392x380	10.80
140045678	LEDspotRF-E 3W-5700-30D-WH-GP-01	125x125x70	0.18	520x392x380	10.80
/	LEDspotRF-E 3W-3000-30D-WH-GP-02	102x102x85	0.14	530x322x370	8.40
/	LEDspotRF-E 3W-4000-30D-WH-GP-02	102x102x85	0.14	530x322x370	8.40
/	LEDspotRF-E 3W-5700-30D-WH-GP-02	102x102x85	0.14	530x322x370	8.40
/	LEDspotRF-E 3W-3000-30D-SL-GP-01	125x125x70	0.18	520x392x380	10.80
/	LEDspotRF-E 3W-4000-30D-SL-GP-01	125x125x70	0.18	520x392x380	10.80
/	LEDspotRF-E 3W-5700-30D-SL-GP-01	125x125x70	0.18	520x392x380	10.80
/	LEDspotRF-E 3W-3000-30D-SL-GP-02	102x102x85	0.14	530x322x370	8.40
/	LEDspotRF-E 3W-4000-30D-SL-GP-02	102x102x85	0.14	530x322x370	8.40
/	LEDspotRF-E 3W-5700-30D-SL-GP-02	102x102x85	0.14	530x322x370	8.40
/	LEDspotRF-E 3W-3000-30D-GY-GP-01	125x125x70	0.18	520x392x380	10.80
/	LEDspotRF-E 3W-4000-30D-GY-GP-01	125x125x70	0.18	520x392x380	10.80
/	LEDspotRF-E 3W-5700-30D-GY-GP-01	125x125x70	0.18	520x392x380	10.80
/	LEDspotRF-E 3W-3000-30D-GY-GP-02	102x102x85	0.14	530x322x370	8.40
/	LEDspotRF-E 3W-4000-30D-GY-GP-02	102x102x85	0.14	530x322x370	8.40
/	LEDspotRF-E 3W-5700-30D-GY-GP-02	102x102x85	0.14	530x322x370	8.40

Dimensional Drawing

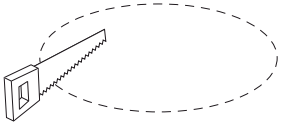


3W



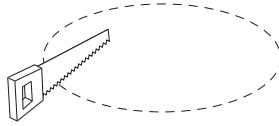
3W

Cut-out Drawing



Ø60

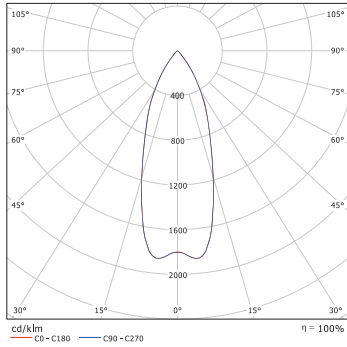
3W



Ø78

3W

Photometric Data



30°(3W)